

TECHNICAL DATASHEET

Reference: RAK13000-09*

Product: PASSION single lever basin mixer



*RAK13000-09
Chrome Finish



*RAK13000-09.GD1
Gold Color
Glossy Finish



*RAK13000-09.RG1
Rose Gold Color
Glossy Finish



*RAK13000-09.BK1
Black Color
Glossy Finish

Product Description:

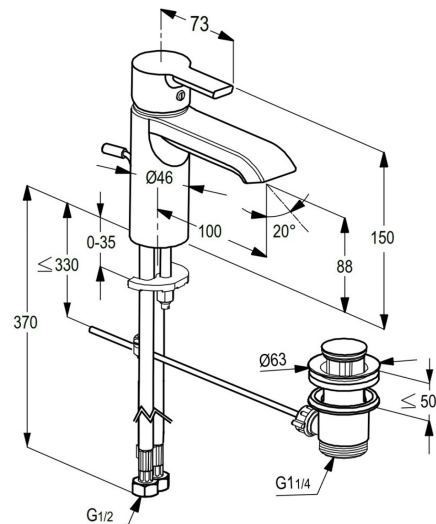
single lever basin mixer DN 15
single hole mounted
solid lever
ceramic cartridge with hot water safety device
PCA cache aerator M24 x 1
flow level 1.0 gpm (3.8 ltr/min)#
flexible high pressure supply tubes 1/2 inch
rapid installation set
pop up waste 1 1/4 inch
in accordance to EN 817
Pressure Compensating Aerator 1.0 gpm (3.8 ltr/min)#

Advertisement:

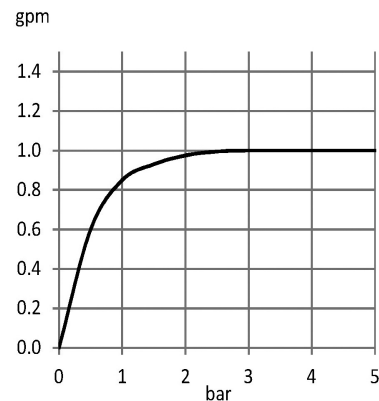
* KLUDI RAK LLC item no. RAK13000-09 PASSION
single lever basin mixer
* Chrome plated/PVD Gold/PVD Rose Gold/PVD Black
brass, in accordance to EN 50930-6
* in accordance to EN 817
* ceramic cartridge K-35 with hot water safety device

single lever basin mixer, manufacturer KLUDI RAK LLC,
KLUDI RAK PASSION item no. RAK13000-09, type:
single lever basin mixer, DN 15/PN 10, Chrome
plated/PVD Gold/PVD Rose Gold/PVD Black brass, solid
lever, Chrome plated/PVD Gold/PVD Rose Gold/PVD
Black metal, ceramic cartridge K-35 with hot water
safety device, PCA cache aerator M24 x 1, flow level 1.0
gpm (3.8 ltr/min), flexible high pressure supply tubes 1/2
inch, with DVGW/KIWA/WRAS/CSTBAT approval, rapid
installation set, with pop up waste 1 1/4 inch,
dimensions: height 150 mm, nozzle height 88 mm, nozzle
projection 100 mm, lever projection 73 mm

Line Drawing:



Water Flow Rate#:



variation: ± 15%



RAK13000-09 online

1/6/2021

KLUDI
RAK
"We Stand for Water Saving"