

TECHNICAL DATASHEET

Reference: RAK10000-09

Product: POLARIS single lever basin mixer



RAK10000-09

chrome

Product Description:

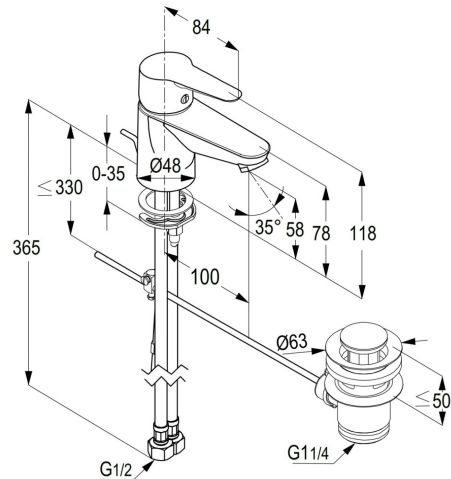
single lever basin mixer DN 15
single hole mounted
solid lever
ceramic cartridge with hot water safety device
PCA aerator M24 x 1
flow level 1.0 gpm (3.8 ltr/min)#
flexible high pressure supply tubes 1/2 inch
rapid installation set
pop up waste 1 1/4 inch
in accordance to EN 817
Pressure Compensating Aerator 1.0 gpm (3.8 ltr/min)#

Advertisement:

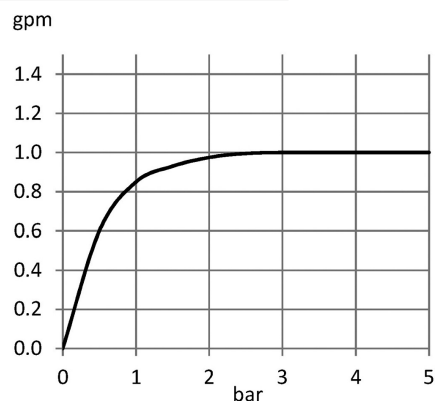
* KLUDI RAK LLC item no. RAK10000-09 POLARIS single lever basin mixer
* chrome plated brass, in accordance to EN 50930-6
* in accordance to EN 817
* ceramic cartridge K-35 with hot water safety device

single lever basin mixer, manufacturer KLUDI RAK LLC, KLUDI RAK POLARIS item no. RAK10000-09, type: single lever basin mixer, DN 15/PN 10, chrome plated brass, solid lever, chrome plated metal, ceramic cartridge K-35 with hot water safety device, PCA aerator M24 x 1, flow level 1.0 gpm (3.8 ltr/min), flexible high pressure supply tubes 1/2 inch, with DVGW/KIWA/WRAS/CSTBAT approval, rapid installation set, with pop up waste 1 1/4 inch, noise level DIN 4109 group I, without report no., dimensions: height 118 mm, nozzle height 58 mm, nozzle projection 100 mm, lever projection 84 mm

Line Drawing:



Water Flow Rate#:



variation: ± 15%



RAK10000-09 online

1/6/2021

KLUDI
RAK

"We Stand for Water Saving"