

TECHNICAL DATASHEET

Reference: RAK37028-09

Product: PETRA single side lever basin mixer



RAK37028-09

Chrome

Product Description:

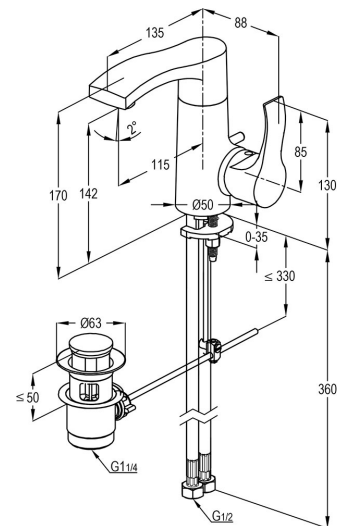
single lever basin mixer DN 15
single hole mounted
solid lever
ceramic cartridge with hot water safety device
PCA aerator M 24 x 1
flow level 1 gpm (3.80 l/min)
flexible high pressure supply tubes 1/2 inch
rapid installation set
pop up waste 1 1/4 inch
in accordance to EN 817
Pressure Compensating Aerator 1 gpm (3.80 l/min)

Advertisement:

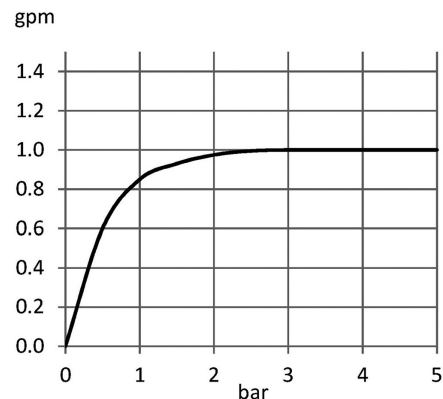
- * KLUDI RAK LLC item no. RAK37028-09 PETRA single side lever basin mixer
- * chrome plated brass, in accord. to EN 50930-6
- * in accordance to EN 817
- * ceramic cartridge K-35 with hot water safety device

single lever basin mixer, manufacturer KLUDI RAK LLC
KLUDI RAK PETRA item no. RAK37028-09 type: single lever basin mixer, DN 15 / PN 10, chrome plated brass, solid lever chrome plated metal, ceramic cartridge K-35 with hot water safety device, PCA aerator M 24 x 1, flow level 1gpm (3.80 l/min), flexible high pressure supply tubes 1/2 inch with DVGW / KIWA / WRAS / CSTBAT approval, rapid installation set, with pop up waste 1 1/4 inch, for pressure type water heater dimensions: height 170 mm, nozzle height 142 mm, nozzle projection 115 mm, lever projection 85 mm

Line Drawing:



Water Flow Rate#:



variation: ± 15%



RAK37028-09 online

25/2/2022

KLUDI
RAK

"We Stand for Water Saving"