

TECHNICAL DATASHEET

Reference: RAK16000-09*

Product: SWING single lever basin mixer



*RAK16000-09

Chrome Finish



*RAK16000-09.GD1

Gold Color
Glossy Finish



*RAK16000-09.RG1

Rose Gold Color
Glossy Finish



*RAK16000-09.BK1

Black Color
Glossy Finish

Product Description:

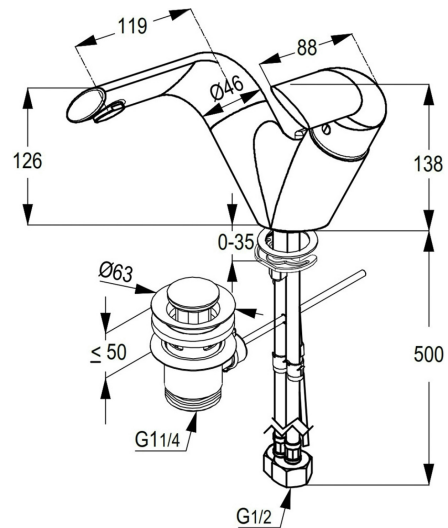
single lever basin mixer DN 15
single hole mounted
solid lever
ceramic cartridge with hot water safety device
PCA aerator M24 x 1
flow level 1 gpm (3.78 ltr/min)#
flexible high pressure supply tubes 1/2 inch
rapid installation set
pop up waste 1 1/4 inch
in accordance to EN 817
Pressure Compensating Aerator 3.78 ltr/min (1 gpm)#

Advertisement:

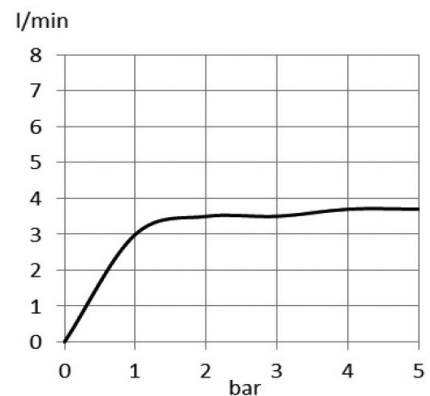
* KLUDI RAK LLC item no. RAK16000-09 SWING single lever basin mixer
* Chrome plated/PVD Gold/PVD Rose Gold/PVD Black brass, in accordance to EN 50930-6
* in accordance to EN 817
* ceramic cartridge K-35 with hot water safety device

single lever basin mixer, manufacturer KLUDI RAK LLC, KLUDI RAK SWING item no. RAK16000-09, type: single lever basin mixer, DN 15/PN 10, Chrome plated/PVD Gold/PVD Rose Gold/PVD Black brass, solid lever, Chrome plated/PVD Gold/PVD Rose Gold/PVD Black metal, ceramic cartridge K-35, with hot water safety device, PCA aerator M24 x 1, flow level 3.78 ltr/min, flexible high pressure supply tubes 1/2 inch, with DVGW/KIWA/WRAS/CSTBAT approval, rapid installation set, with pop up waste 1 1/4 inch, for pressure type water heater dimensions: height 138 mm, nozzle projection 119 mm, lever projection 88 mm

Line Drawing:



Water Flow Rate#:



variation: ± 15%



RAK16000-09 online

1/6/2021

KLUDI
RAK

"We Stand for Water Saving"