

TECHNICAL DATASHEET



***RAK13061-09**
Chrome Finish

Reference: RAK13061-09*

Product: PASSION single lever high-raised XL basin mixer



***RAK13061-09.GD1**
Gold Color
Glossy Finish



***RAK13061-09.RG1**
Rose Gold Color
Glossy Finish



***RAK13061-09.BK1**
Black Color
Glossy Finish

Product Description:

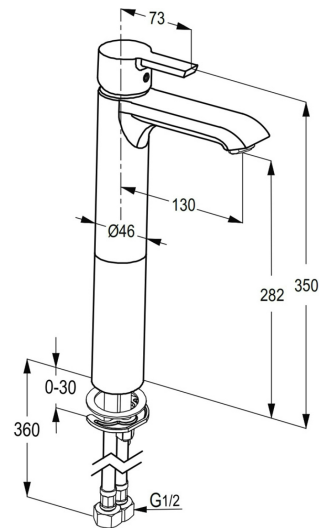
single lever basin mixer DN 15
single hole mounted
solid lever
ceramic cartridge with hot water safety device
PCA aerator M24 x 1
flow level 3.8 ltr/min#
flexible high pressure supply tubes 1/2 inch
rapid installation set
noise group I
in accordance to EN 817
Pressure Compensating Aerator 3.8 ltr/min#

Advertisement:

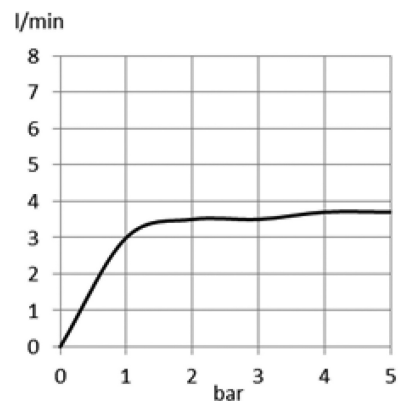
- * KLUDI RAK LLC item no. RAK13061-09 PASSION XL HR single lever basin mixer
- * Chrome plated/PVD Gold/PVD Rose Gold/PVD Black brass, in accordance to EN 50930-6
- * in accordance to EN 817
- * ceramic cartridge K-35 with hot water safety device

single lever basin mixer, manufacturer KLUDI RAK LLC, KLUDI RAK PASSION XL HR item no. RAK13061-09, type: single lever basin mixer, DN 15/PN 10, Chrome plated/PVD Gold/PVD Rose Gold/PVD Black metal, ceramic cartridge K-35, with hot water safety device, noise level DIN 4109 group I, without report no., PCA aerator M24 x 1, flow level 3.8 ltr/min, flexible high pressure supply tubes 1/2 inch, with DVGW/KIWA/WRAS/CSTBAT approval, rapid installation set, dimensions: height 350 mm, nozzle height 282 mm, nozzle projection 130 mm, lever projection 73 mm

Line Drawing:



Water Flow Rate#:



variation: ± 15%

