

# TECHNICAL DATASHEET

**Reference:** RAK14160-09\*

**Product:** PROFILE STAR single lever XL basin mixer



**\*RAK14160-09**  
Chrome Finish



**\*RAK14160-09.GD1**  
Gold Color  
Glossy Finish



**\*RAK14160-09.RG1**  
Rose Gold Color  
Glossy Finish



**\*RAK14160-09.BK1**  
Black Color  
Glossy Finish

## Product Description:

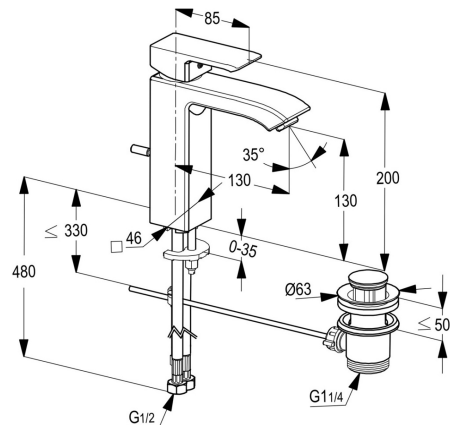
single lever basin mixer XL DN 15  
single hole mounted  
solid lever  
ceramic cartridge with hot water safety device  
PCA aerator M24 x 1  
flow rate 3.8 ltr/min (1 gpm)#  
flexible high pressure supply tubes 1/2 inch  
rapid installation set  
pop up waste 1 1/4 inch  
in accordance to EN 817  
Pressure Compensating Aerator 3.8 ltr/min (1 gpm)#

## Advertisement:

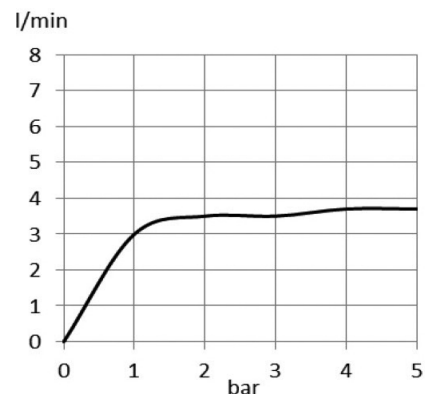
- \* KLUDI RAK LLC item no. RAK14160-09 PROFILE STAR single lever basin mixer XL
- \* Chrome plated/PVD Gold/PVD Rose Gold/PVD Black brass, in accordance to EN 50930-6
- \* in accordance to EN 817
- \* ceramic cartridge K-35 with hot water safety device

single lever basin mixer XL, manufacturer KLUDI RAK LLC, KLUDI RAK PROFILE STAR item no. RAK14160-09, type: single lever basin mixer XL, DN 15/PN 10, Chrome plated/PVD Gold/PVD Rose Gold/PVD Black brass, solid lever, Chrome plated/PVD Gold/PVD Rose Gold/PVD Black metal, ceramic cartridge K-35, with hot water safety device, PCA aerator M24 x 1, flow rate 3.8 ltr/min, flexible high pressure supply tubes 1/2 inch, with DVGW/KIWA/WRAS/CSTBAT approval, rapid installation set, with pop up waste 1 1/4 inch, dimensions: height 200 mm, nozzle height 130 mm, nozzle projection 130 mm, lever projection 85 mm

## Line Drawing:



## Water Flow Rate#:



# variation: ± 15%

