

TECHNICAL DATASHEET

Reference: RAK17002-87

Product: PEARL single lever bath and shower mixer



RAK17002-87

chrome

Product Description:

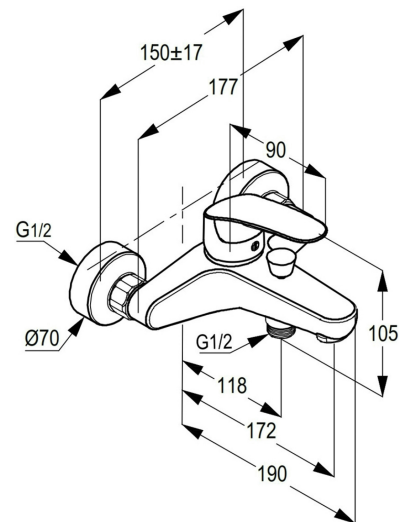
single lever bath and shower mixer DN 15
wall fastening
solid lever
ceramic cartridge with hot water safety device
aerator M24 x 1
flow regulator 8.0 ltr/min#
automatic diverter: shower to bath tub
shower connection 1/2 inch
protected against backflow
S-unions 1/2 inch x 3/4 inch
in accordance to EN 817

Advertisement:

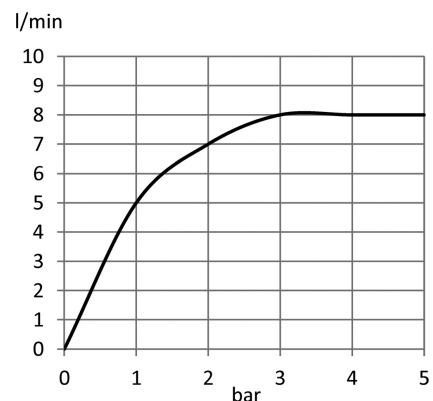
- * KLUDI RAK LLC item no. RAK17002-87 PEARL single lever bath and shower mixer
- * chrome plated brass, in accordance to EN 50930-6
- * in accordance to EN 817, EN 1717
- * ceramic cartridge K-35 with hot water safety device

single lever bath and shower mixer, manufacturer KLUDI RAK LLC, KLUDI RAK PEARL item no. RAK17002-87, type: single lever bath and shower mixer, DN 15/PN 10, chrome plated brass, solid lever, chrome plated metal, ceramic cartridge K-35, with hot water safety device, with automatic diverter: shower to bath tub, protected against backflow, EN 1717, wall fastening, bath tub filler, with aerator M24 x 1, bath tub flow rate 8.0 ltr/min, shower connection 1/2 inch, S-unions 1/2 inch x 3/4 inch, for pressure type water heater, for continuous line heater dimensions: projection shower connection 118 mm, nozzle projection 172/190 mm, lever projection 90 mm

Line Drawing:



Water Flow Rate#:



variation: ± 15%



RAK17002-87 online

1/6/2021

KLUDI
RAK
"We Stand for Water Saving"