

TECHNICAL DATASHEET

Reference: RAK12007*

Product: PRIME wall-mounted bath spout



*RAK12007
Chrome Finish



*RAK12007.GD1
Gold Color
Glossy Finish



*RAK12007.RG1
Rose Gold Color
Glossy Finish



*RAK12007.BK1
Black Color
Glossy Finish

Product Description:

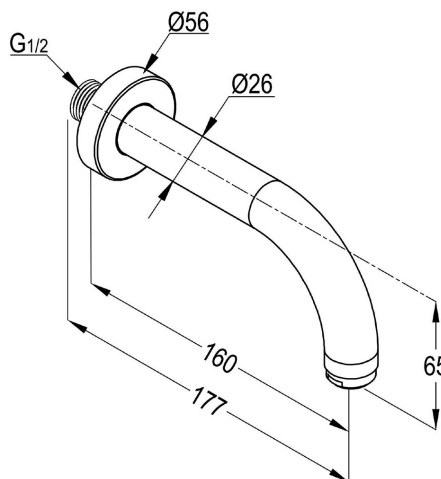
wall mounted bath spout DN 15
projection 160 mm
wall fastening
cascade aerator M24 x 1
flow class C
with sliding cover plate
in accordance to EN 200

Advertisement:

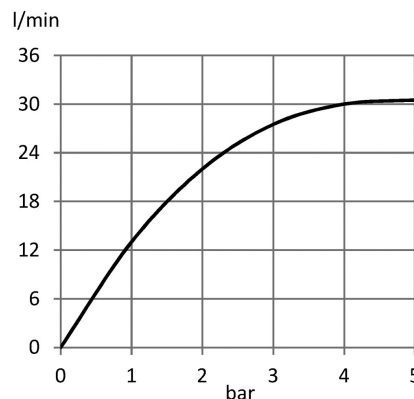
* KLUDI RAK LLC item no. RAK12007 PRIME wall mounted bath spout
* Chrome plated/PVD Gold/PVD Rose Gold/PVD Black brass, in accordance to EN 50930-6
* in accordance to EN 200

wall mounted bath spout, manufacturer KLUDI RAK LLC, KLUDI RAK PRIME item no. RAK12007, type: wall mounted bath spout, DN 15/PN 5, Chrome plated/PVD Gold/PVD Rose Gold/PVD Black brass, sliding cover plate, cascade aerator M24 x 1, flow class C (maximum 0.50 ltr/second), dimensions: nozzle projection 160 mm, cover plate Ø 56 mm, wall mounted bath spout with male connection G1/2 inch

Line Drawing:



Water Flow Rate#:



variation: ± 15%



RAK12007 online

11/3/2022

KLUDI
RAK
"We Stand for Water Saving"