

TECHNICAL DATASHEET

Reference: RAK30001-09

Product: POLO single lever bidet mixer



RAK30001-09

chrome

Product Description:

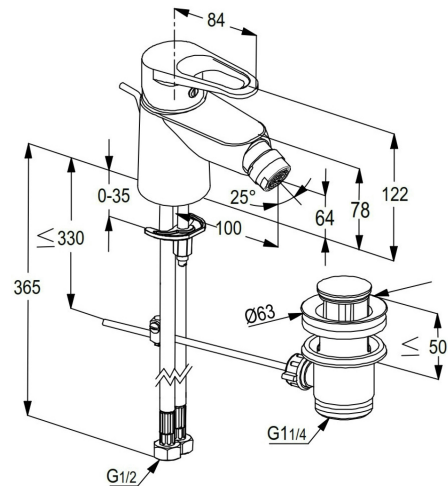
solid lever
single hole mounted
flow rate 3.8 ltr/min (1 gpm)#
ball joint aerator M24 x 1
ceramic cartridge with hot water safety device 35 mm
pop up waste 1 1/4 inch
flexible high pressure supply tubes 1/2 inch
rapid installation set
in accordance to EN 817
Pressure Compensating Aerator 3.78 ltr/min (1 gpm)#

Advertisement:

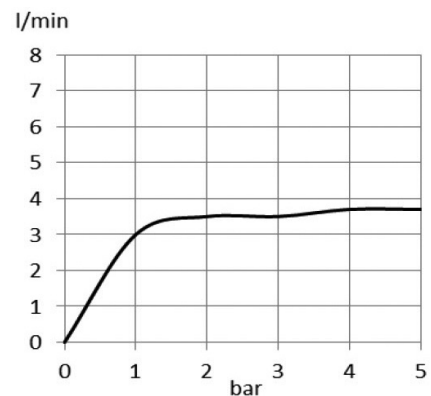
- * KLUDI RAK LLC item no. RAK30001-09
- * chrome plated brass, in accordance to EN 50930-6
- * in accordance to EN 817
- * ceramic cartridge with hot water safety device \varnothing 35 mm

single lever bidet mixer, manufacturer KLUDI RAK LLC item no. RAK30001-09, DN 15, chrome plated brass, type: single lever bidet mixer, solid lever, pop up waste 1 1/4 inch, ball joint aerator M24 x 1, noise level DIN EN 4109 group I, report no. P-IX, ceramic cartridge with hot water safety device \varnothing 35 mm, flexible high pressure supply tubes 1/2 inch, with DVGW/KIWA/WRAS approved, with metal body length 365 mm, lever projection 84 mm, nozzle projection 100 mm, overall height 122 mm, rapid installation set, nozzle height 64 mm, flow rate 3.8 ltr/min, for pressure type water heater, continuous line heater, PN 10

Line Drawing:



Water Flow Rate#:



variation: \pm 15%



RAK30001-09 online

1/6/2021

KLUDI
RAK
"We Stand for Water Saving"