

TECHNICAL DATASHEET

Reference: RAK12003-09*

Product: PRIME single lever bidet mixer



*RAK12003-09
Chrome Finish



*RAK12003-09.GD1
Gold Color
Glossy Finish



*RAK12003-09.RG1
Rose Gold Color
Glossy Finish



*RAK12003-09.BK1
Black Color
Glossy Finish

Product Description:

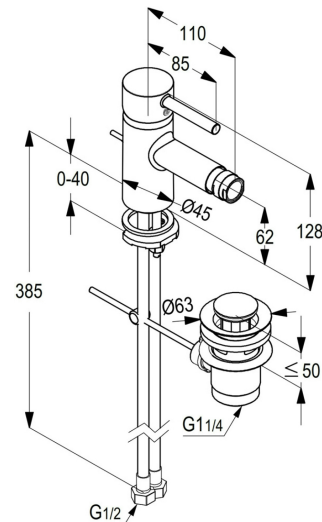
single lever bidet mixer DN 15
single hole mounted
solid lever
ceramic cartridge with hot water safety device
ball joint PCA aerator M24 x 1
flow rate 3.78 ltr/min (1 gpm)#
flexible high pressure supply tubes 1/2 inch
rapid installation set
pop up waste 1 1/4 inch
in accordance to EN 817
Pressure Compensating Aerator 3.78 ltr/min (1 gpm)#

Advertisement:

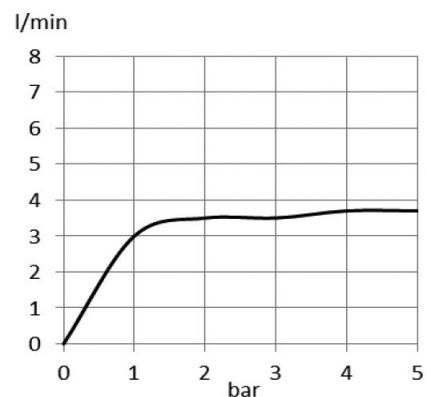
* KLUDI RAK LLC item no. RAK12003-09 PRIME single lever bidet mixer
* Chrome plated/PVD Gold/PVD Rose Gold/PVD Black brass, in accordance to EN 50930-6
* in accordance to EN 817
* ceramic cartridge K-35 with hot water safety device

single lever bidet mixer, manufacturer KLUDI RAK LLC, KLUDI RAK PRIME item no. RAK12003-09, type: single lever bidet mixer, DN 15/PN 10, Chrome plated/PVD Gold/PVD Rose Gold/PVD Black brass, solid lever, Chrome plated/PVD Gold/PVD Rose Gold/PVD Black metal, ceramic cartridge K-35 with hot water safety device, ball joint PCA aerator M24 x 1, flow rate 3.78 ltr/min, flexible high pressure supply tubes 1/2 inch, with DVGW/KIWA/WRAS/CSTBAT approval, rapid installation set, with pop up waste 1 1/4 inch, dimensions: height 128 mm, nozzle height 62 mm, nozzle projection 110 mm, lever projection 85 mm

Line Drawing:



Water Flow Rate#:



variation: ± 15%



RAK12003-09 online

1/6/2021

KLUDI
RAK
"We Stand for Water Saving"