

TECHNICAL DATASHEET

Reference: RAK14001-09

Product: PROFILE single lever bidet mixer



RAK14001-09

chrome

Product Description:

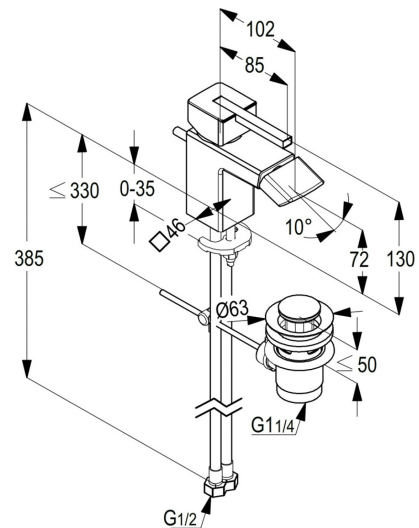
single lever bidet mixer DN 15
single hole mounted
solid lever
ceramic cartridge with hot water safety device
ball joint PCA cache aerator M18.5 x 1
flow rate 3.78 ltr/min (1 gpm)#
flexible high pressure supply tubes 1/2 inch
rapid installation set
pop up waste 1 1/4 inch
in accordance to EN 817
Pressure Compensating Aerator 3.78 ltr/min (1 gpm)#

Advertisement:

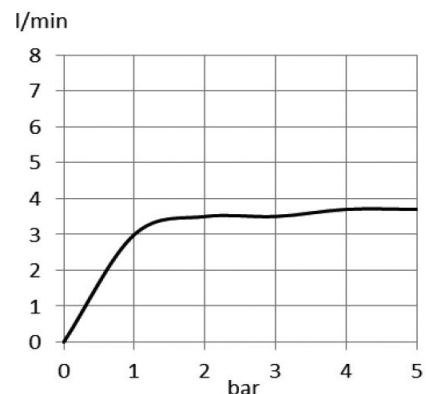
- * KLUDI RAK LLC item no. RAK14001-09 PROFILE single lever bidet mixer
- * chrome plated brass, in accordance to EN 50930-6
- * in accordance to EN 817
- * ceramic cartridge K-35 with hot water safety device

single lever bidet mixer, manufacturer KLUDI RAK LLC, KLUDI RAK PROFILE item no. RAK14001-09, type: single lever bidet mixer, DN 15/PN 10, chrome plated brass, solid lever, chrome plated metal, ceramic cartridge K-35, with hot water safety device, ball joint PCA cache aerator M18.5 x 1, flow rate 3.78 ltr/min, flexible high pressure supply tubes 1/2 inch, with DVGW/KIWA/WRAS/CSTBAT approval, rapid installation set, with pop up waste 1 1/4 inch, dimensions: height 130 mm, nozzle height 72 mm, nozzle projection 102 mm, lever projection 85 mm

Line Drawing:



Water Flow Rate#:



variation: ± 15%



RAK14001-09 online

1/6/2021

KLUDI
RAK

"We Stand for Water Saving"