

TECHNICAL DATASHEET

Reference: RAK16001-09*

Product: SWING single lever bidet mixer



*RAK16001-09

Chrome Finish



*RAK16001-09.GD1

Gold Color
Glossy Finish



*RAK16001-09.RG1

Rose Gold Color
Glossy Finish



*RAK16001-09.BK1

Black Color
Glossy Finish

Product Description:

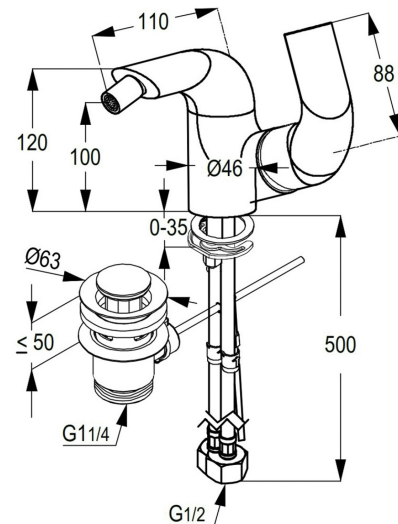
single lever bidet mixer DN 15
single hole mounted
solid lever
ceramic cartridge with hot water safety device
cache aerator M16.5 x 1
flow rate 3.8 ltr/min (1 gpm)#
flexible high pressure supply tubes 1/2 inch
rapid installation set
pop up waste 1 1/4 inch
in accordance to EN 817
Pressure Compensating Aerator 3.8 ltr/min (1 gpm)#

Advertisement:

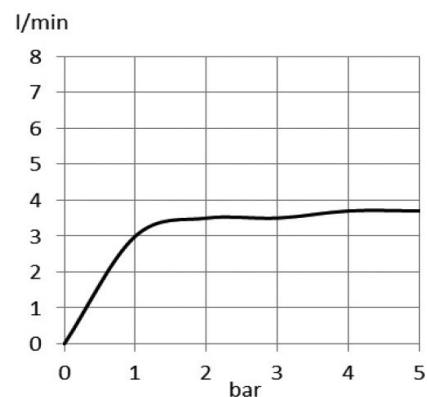
* KLUDI RAK LLC item no. RAK16001-09 SWING single lever bidet mixer
* Chrome plated/PVD Gold/PVD Rose Gold/PVD Black brass, in accordance to EN 50930-6
* in accordance to EN 817
* ceramic cartridge K-35 with hot water safety device

single lever bidet mixer, manufacturer KLUDI RAK LLC, KLUDI RAK SWING item no. RAK16001-09, type: single lever bidet mixer, DN 15/PN 10, Chrome plated/PVD Gold/PVD Rose Gold/PVD Black brass, solid lever, Chrome plated/PVD Gold/PVD Rose Gold/PVD Black metal, ceramic cartridge K-35, with hot water safety device, aerator M16.5 x 1, flow rate 3.8 ltr/min (1 gpm), flexible high pressure supply tubes 1/2 inch, with DVGW/KIWA/WRAS/CSTBAT approval, rapid installation set, with pop up waste 1 1/4 inch, dimensions: height 120 mm, nozzle height 100 mm, nozzle projection 110 mm, lever projection 88 mm

Line Drawing:



Water Flow Rate#:



variation: ± 15%



RAK16001-09 online

1/6/2021

KLUDI
RAK

"We Stand for Water Saving"