

# TECHNICAL DATASHEET

Reference: 1002005-00\*

Product: KLUDI DESIGN bottle trap 1 1/4 inch



\*1002005-00  
Chrome Finish



\*1002005-00.GD1  
Gold Color  
Glossy Finish



\*1002005-00.RG1  
Rose Gold Color  
Glossy Finish

\*1002005-00.BK1  
Black Color  
Glossy Finish

## Product Description:

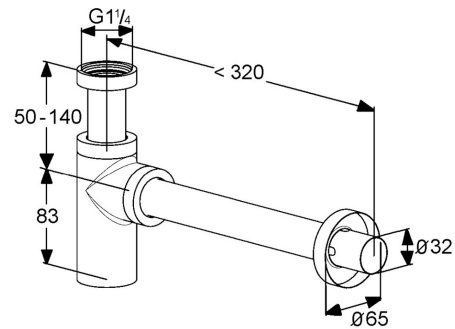
Design bottle trap 1 1/4 inch  
G 1 1/4 x 32 mm x 320  
with outlet tube 32 x 290 mm  
with wall flange (escutcheon) 65 mm  
adjustable drain pipe up to 120 mm  
with access to clean  
according to DIN EN 274  
Made in Germany

## Advertisement:

- \* KLUDI GmbH and Co KG KLUDI Design bottle trap item no. 1002005-00
- \* Chrome plated/PVD Gold/PVD Rose Gold/PVD Black brass
- \* DIN EN 274

bottle trap 1 1/4 inch, manufacturer KLUDI GmbH and Co KG KLUDI bottle trap item no. 1002005-00, Chrome plated/PVD Gold/PVD Rose Gold/PVD Black brass, rosette Chrome plated/PVD Gold/PVD Rose Gold/PVD Black diameter 65 mm, for wash basin, with outlet tube 32 mm x 290 mm, adjustable drain pipe 50 = 140 mm, with locker for cleaning, for wall connection = 320 mm, waste flow-rate in accordance to EN 274 ~ 36.0 ltr/min#

## Line Drawing:



## Water Flow Rate#:

**waste flow rate in  
accordance to  
DIN EN 274  
36,0 l/min**

# variation: ± 15%



1002005-00 online

1/6/2021

**KLUDI**  
**RAK**  
"We Stand for Water Saving"