

TECHNICAL DATASHEET

Reference: RAK1010505

Product: Bottle trap 1 1/4 inch



RAK1010505

chrome

Product Description:

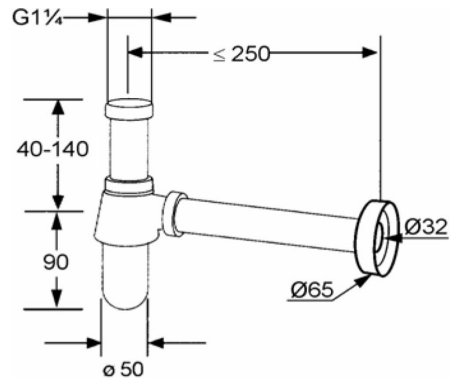
bottle trap 1 1/4 inch
G 1 1/4 inch x 32 mm
with outlet tube 32 x 200 mm
with wall flange (escutcheon)

Advertisement:

- * KLUDI RAK LLC item no. RAK1010505
- * chrome plated brass, EN 50930-6
- * in accordance to EN 274

bottle trap 1 1/4, manufacturer KLUDI RAK LLC item no. RAK1010505, chrome plated brass, rosette chrome plated diameter 65 mm, for wash basin, in accordance to DIN EN 274/19545, with outlet tube DN 32 x 200 mm, adjustable drain pipe 40 - 140 mm, diameter siphon 50 mm, for wall connection = 250 mm

Line Drawing:



RAK1010505 online

23/6/2021

KLUDI
RAK

"We Stand for Water Saving"