

TECHNICAL DATASHEET



RAK48040
chrome plated

Reference: RAK48040

Product: Dual shower system L = 960 mm

Product Description:

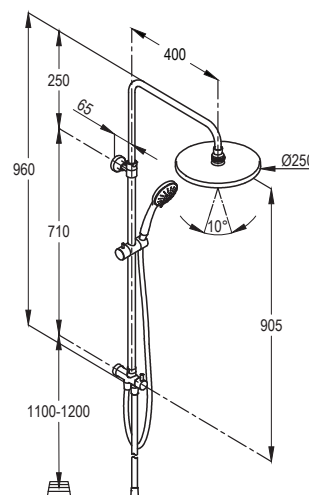
dual shower system DN15
solid lever
wall fastening
two way ceramic diverter
3S hand shower DN15, easy openable
with three spray patterns
swivel head shower (Ø250mm) DN15
ridgeless adjustable shower holder
with vertically and cylindrically adjustable
supreme shower hose 1/2 x 1/2 inch x 1500mm
connecting hose 1/2 x 1/2 inch x 800 mm
with fixing kit

Advertisement:

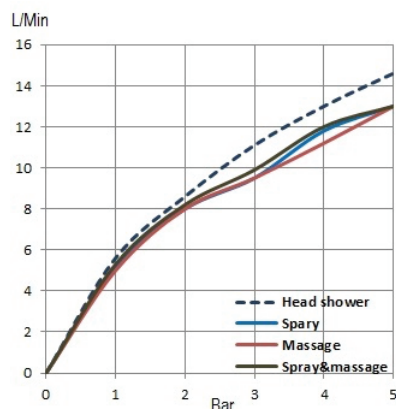
- * KLUDI RAK LLC item no. RAK48040
- ** chrome plated stainless steel
- *** DIN EN 1112 / DIN EN 1113
- **** with two way ceramic diverter

Dual shower system DN15, manufacturer KLUDI RAK LLC item no. RAK48040 chrome plated stainless steel, with 2 way ceramic diverter cartridge: head shower tohand shower, wall fastening, lever chrome plated metal, with swivel head shower DN15,chrome plated ABS, with cleaning system, with 3S hand shower DN15,easy openable,chrome plated ABS, jet kind: spray/massage/spray&massage, with supreme shower hose 1/2 x 1/2 inch x 1500 mm, with connecting hose for mixer to dual shower system 1/2 x 1/2 inch x 800 mm, with wall socket, with fixing kit, for continuous line heater, for pressure type water heater

Line Drawing:



Water-flow Rate:



RAK48040 online

28/2/2021

KLUDI
RAK

"We Stand for Water Saving"