

# TECHNICAL DATASHEET

Reference: RAK14010

Product: PROFILE hand shower 1S



RAK14010

chrome

## Product Description:

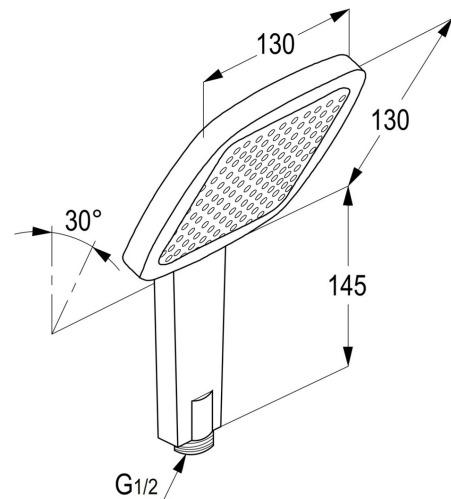
hand shower 1S DN 15  
flow class A  
with cleaning system  
with big size shower spray 130 x 130 mm  
angle adjustable in 5 stages (maximum tilt angle 30 degree)  
voluminous shower spray from 100 spray nozzles  
flow rate 18.9 ltr/min at 3 bar  
low-aerosol  
connection 1/2 inch  
noise level I  
P-IX 18516/IB

## Advertisement:

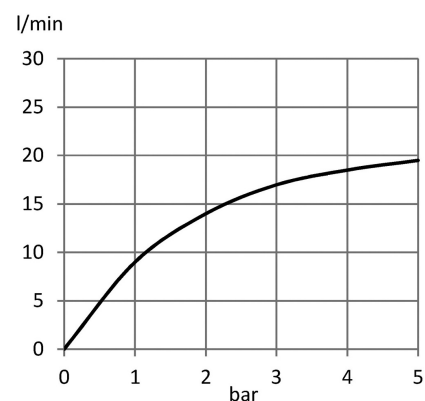
- \* KLUDI RAK LLC item no. RAK14010 PROFILE hand shower
- \* chrome plated plastic
- \* in accordance to DIN EN 1112

hand shower, manufacturer KLUDI RAK LLC, KLUDI RAK PROFILE item no. RAK14010, type: hand shower, DN 15/PN 5, chrome plated plastic, noise level DIN 4109 group I, report no. P-IX 18516/IB, flow class A, flow rate 18.9 ltr/min at 3 bar, low-aerosol, connection 1/2 inch male thread, with voluminous shower spray from 100 spray nozzles, with cleaning system, with adjustable shower head, angle adjustable in 5° stages (maximum tilt angle 30°), for pressure type water heater, for continuous line heater dimensions: shower head 130 x 130 mm, length 275 mm

## Line Drawing:



## Water Flow Rate#:



# variation: ± 15%



RAK14010 online

2/6/2021

**KLUDI**  
**RAK**  
"We Stand for Water Saving"