

# TECHNICAL DATASHEET

Reference: RAK18070-01

Product: PEAK medicare single lever basin mixer



RAK18070-01

chrome

## Product Description:

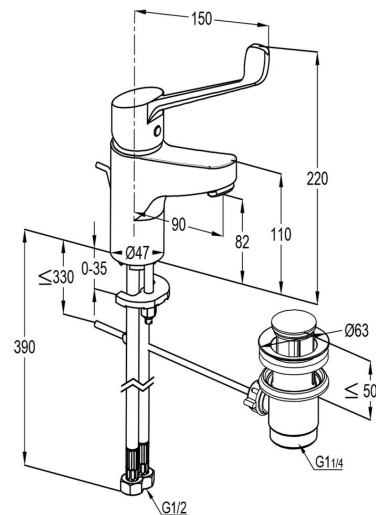
single lever basin mixer DN 15  
single hole mounted  
solid clinic lever  
ceramic cartridge with hot water safety device  
flexible high pressure supply tubes 1/2 inch  
flow rate 6.0 ltr/min#  
PCA aerator M24 x 1  
rapid installation set  
pop up waste 1 1/4 inch  
in accordance to EN 817  
Pressure Compensating Aerator 6.0 ltr/min#

## Advertisement:

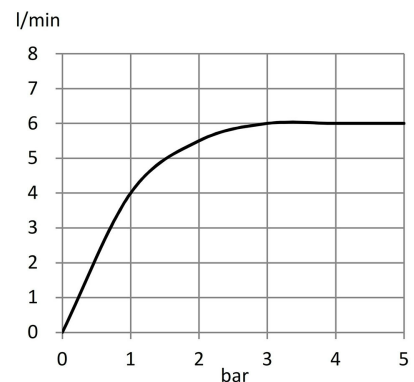
- \* KLUDI RAK LLC item no. RAK18070-01 PEAK medicare single lever basin mixer
- \* chrome plated brass, in accordance to EN 50930-6
- \* in accordance to EN 817
- \* ceramic cartridge K-36 with hot water safety device

medicare single lever basin mixer, manufacturer KLUDI RAK LLC KLUDI RAK PEAK item no. RAK18070-01 type: single lever basin mixer, DN 15/PN 10, chrome plated brass, solid clinic lever, chrome plated metal, ceramic cartridge K-36 with hot water safety device, PCA aerator M24 x 1, flow level 6.0 ltr/min, flexible high pressure supply tubes 1/2 inch with DVGW/KIWA/WRAS/CSTBAT approval, rapid installation set, with pop up waste 1 1/4 inch, for pressure type water heater, for continuous line heater dimensions: height 220 mm, nozzle height 82 mm, nozzle projection 90 mm, lever projection 150 mm

## Line Drawing:



## Water Flow Rate#:



# variation: ± 15%



RAK18070-01 online

1/6/2021

**KLUDI**  
**RAK**

"We Stand for Water Saving"