

TECHNICAL DATASHEET

Reference: RAK38243

Product: Pre-installation set for 2-holes wall-mounted concealed basin mixer



RAK38243

Product Description:

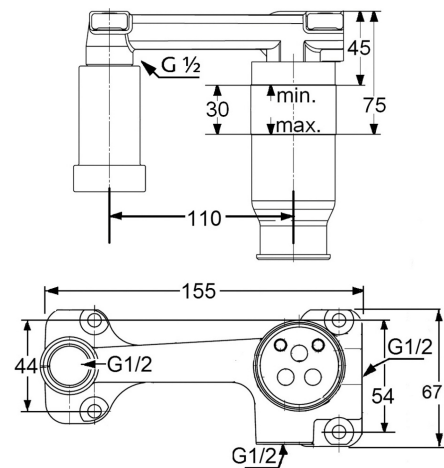
wall mounted basin mixer for concealed 2-hole pre-installation DN 15
pre-installation set
in-wall installation
flow class S
ceramic cartridge with hot water safety device
protection sleeve 1/2 inch
mounting-depth-compensation 30 mm
2 connectors 1/2 inch
without trim set
noise group I

Advertisement:

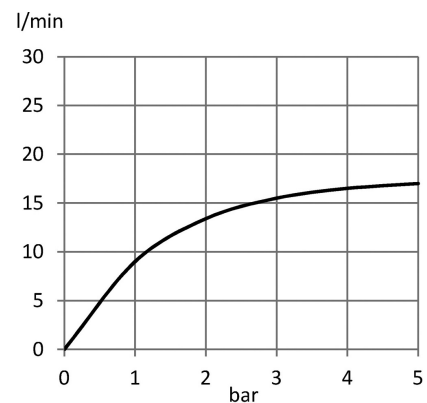
- * KLUDI RAK LLC item no. RAK38243 wall mounted basin mixer for concealed 2-hole pre-installation
- * brass, in accordance to EN 50930-6
- * in accordance to EN 817
- * ceramic cartridge K-35 with hot water safety device

wall mounted basin mixer for concealed 2-hole installation, manufacturer KLUDI RAK LLC, KLUDI RAK item no. RAK38243, type: wall mounted basin mixer for concealed 2-hole installation, DN 15/PN 10, pre-installation set for, in-wall installation, ceramic cartridge K-35, with hot water safety device, noise level DIN 4109 group I, without report no., flow class S (maximum 0.27 ltr/second), with protection sleeve 1/2 inch, 2 connectors 1/2 inch for cold and hot water supply, for pressure type water heater, for continuous line heater dimensions: installation depth minimum 45 to maximum 75 mm, mounting-depth compensation 30 mm, connection 1/2 inch, without trim set

Line Drawing:



Water Flow Rate#:



variation: ± 15%



RAK38243 online

1/6/2021

KLUDI
RAK
"We Stand for Water Saving"