

# TECHNICAL DATASHEET

Reference: RAK50004

Product: Concealed valve self-closing (outdoor)



RAK50004

chrome

## Product Description:

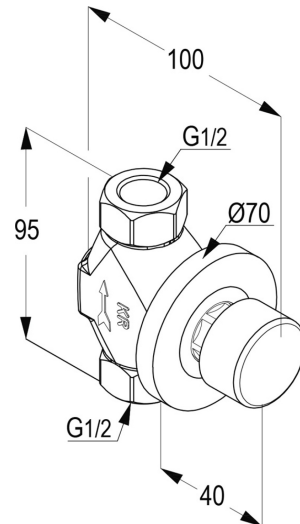
push type timing device  
wall fastening  
metal handle  
connection 1/2 inch  
maximum time of water flow 15 second

## Advertisement:

\* KLUDI RAK LLC item no. RAK50004 concealed valve self-closing type outdoor  
\* chrome plated brass, in accordance to EN 50930-6

concealed valve self-closing type outdoor,  
manufacturer KLUDI RAK LLC, KLUDI RAK item no. RAK50004, type: push type timing device, DN 15/PN 10, material in brass, both ends 1/2 inch female, thread connections, dimensions: projection 100 mm, total length 95 mm, wall flange diameter 70 mm

## Line Drawing:



## Water Flow Rate#:



# variation: ± 15%



RAK50004 online

1/6/2021

**KLUDI**  
**RAK**

"We Stand for Water Saving"