

# TECHNICAL DATASHEET

Reference: RAK16003-87\*

Product: SWING single lever shower mixer



\*RAK16003-87

Chrome Finish



\*RAK16003-87.GD1

Gold Color  
Glossy Finish



\*RAK16003-87.RG1

Rose Gold Color  
Glossy Finish



\*RAK16003-87.BK1

Black Color  
Glossy Finish

## Product Description:

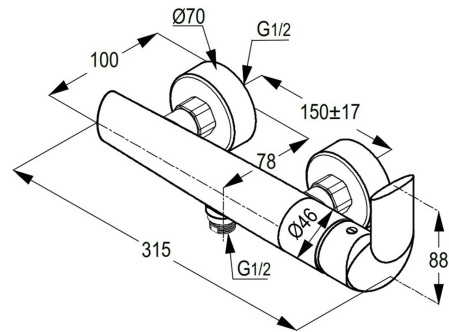
single lever shower mixer DN 15  
solid lever  
wall fastening  
ceramic cartridge with hot water safety device  
shower outlet G 1/2 inch  
protected against backflow  
S-unions 1/2 inch x 3/4 inch  
noise level I  
in accordance to EN 817  
with flow regulator 8 ltr/min#

## Advertisement:

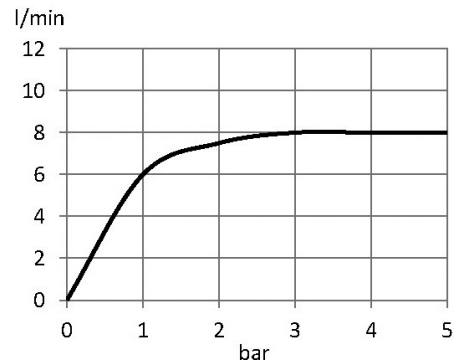
\* KLUDI RAK LLC SWING single lever shower mixer item no. RAK16003-87  
\* ceramic cartridge with hot water safety device  $\varnothing$  35 mm, DIN EN 817  
\* Chrome plated/PVD Gold/PVD Rose Gold/PVD Black brass, DIN 50930-6

single lever shower mixer, manufacturer KLUDI RAK LLC, KLUDI RAK SWING single lever shower mixer item no. RAK16003-87, DN 15, Chrome plated/PVD Gold/PVD Rose Gold/PVD Black brass, ceramic cartridge with hot water safety device  $\varnothing$  35 mm, solid lever, noise level DIN EN 4109 group I, without report no., type: single lever shower mixer DN 15, protected against backflow, DIN EN 1717, shower outlet 1/2 inch, flow rate 8 ltr/min, S-unions 1/2 inch x 3/4 inch, lever projection 88 mm, projection shower connection 78 mm diameter rosette 70 mm, with flow regulator 8 ltr/min, for pressure type water heater for continuous line heater, PN 10

## Line Drawing:



## Water Flow Rate#:



# variation:  $\pm$  15%



RAK16003-87 online

1/6/2021

**KLUDI**  
**RAK**

"We Stand for Water Saving"