

# TECHNICAL DATASHEET

Reference: RAK10014-09

Product: POLARIS single lever sink mixer



RAK10014-09

chrome

## Product Description:

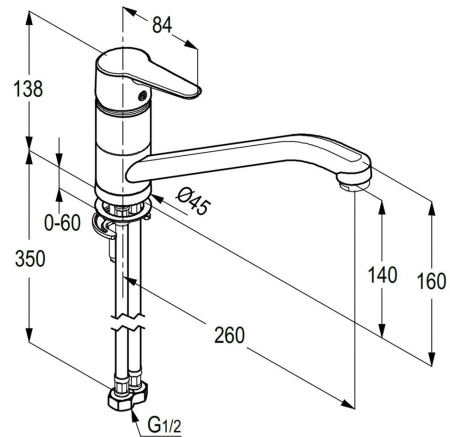
single lever sink mixer DN 15  
single hole mounted  
solid lever  
ceramic cartridge with hot water safety device  
swiveling (360 degree) spout L = 260 mm  
PCA aerator M24 x 1  
flow level 1.0 gpm (3.785 ltr/min)#  
flexible high pressure supply tubes 1/2 inch  
rapid installation set  
noise group I  
in accordance to EN 817  
Pressure Compensating Aerator 1.0 gpm (3.785 ltr/min)#

## Advertisement:

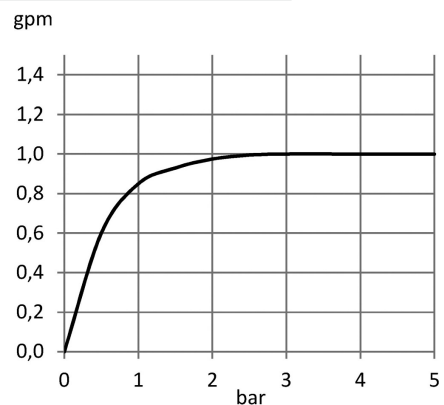
- \* KLUDI RAK LLC item no. RAK10014-09 POLARIS single lever sink mixer
- \* chrome plated brass, in accordance to EN 50930-6
- \* in accordance to EN 817
- \* ceramic cartridge K-35 with hot water safety device

single lever sink mixer, manufacturer KLUDI RAK LLC, KLUDI RAK POLARIS item no. RAK10014-09, type: single lever sink mixer, DN 15/PN 10, with swiveling (360°) spout L = 260 mm, chrome plated brass, solid lever, chrome plated metal, noise level DIN 4109 group I, without report no., ceramic cartridge K-35 with hot water safety device, PCA aerator M24 x 1, flow level 1.0 gpm (3.785 ltr/min), flexible high pressure supply tubes 1/2 inch, with DVGW/KIWA/WRAS/CSTBAT approval, rapid installation set, dimensions: height 138 mm, nozzle height 140 mm, nozzle projection 260 mm, lever projection 84 mm

## Line Drawing:



## Water Flow Rate#:



# variation: ± 15%



RAK10014-09 online

2/6/2021

**KLUDI**  
**RAK**

"We Stand for Water Saving"