

TECHNICAL DATASHEET



Reference: RAK10008-09

Product: POLARIS wall-mounted single lever sink mixer

RAK10008-09

chrome

Product Description:

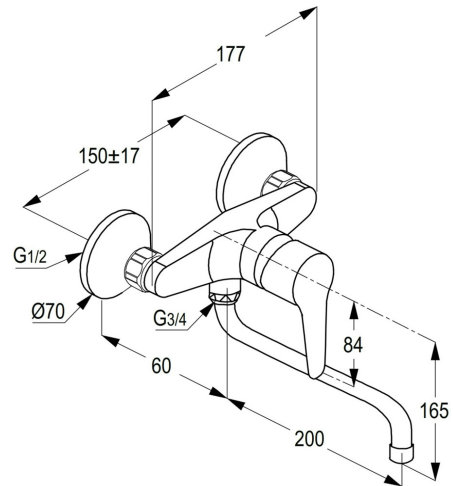
wall mounted single lever sink mixer DN 15
wall fastening
solid lever
ceramic cartridge with hot water safety device
swiveling (185 degree) spout L = 200 mm
PCA aerator M22 x 1
flow level 1.0 gpm#
S-unions 1/2 inch x 3/4 inch
in accordance to EN 817
Pressure Compensating Aerator 1.0 gpm#

Advertisement:

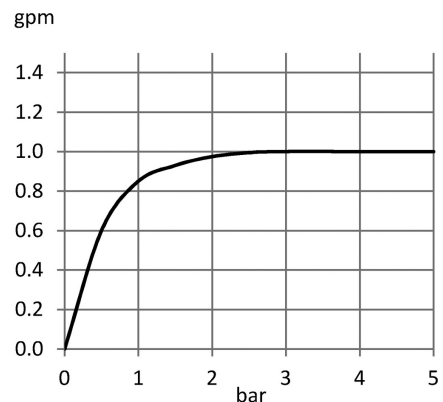
- * KLUDI RAK LLC item no. RAK10008-09 POLARIS wall mounted single lever sink mixer
- * chrome plated brass, in accordance to EN 50930-6
- * in accordance to EN 817
- * ceramic cartridge K-35 with hot water safety device

wall mounted single lever sink mixer, manufacturer KLUDI RAK LLC, KLUDI RAK POLARIS item no. RAK10008-09, type: wall mounted single lever sink mixer, DN 15/PN 10, chrome plated brass, solid lever, chrome plated metal, ceramic cartridge K-35 with hot water safety device, wall fastening, with swiveling (185°) spout L = 200 mm, PCA aerator M22 x 1, flow level 1.0 gpm, S-unions 1/2 inch x 3/4 inch, for pressure type water heater dimensions: projection spout connection 60 mm, swiveling spout ~ 185°, projection spout 260 mm, lever projection 84 mm

Line Drawing:



Water Flow Rate#:



variation: ± 15%



RAK10008-09 online

2/6/2021

KLUDI
RAK
"We Stand for Water Saving"