

# TECHNICAL DATASHEET

Reference: RAK17001-09

Product: PEARL single lever bidet mixer



RAK17001-09

chrome

## Product Description:

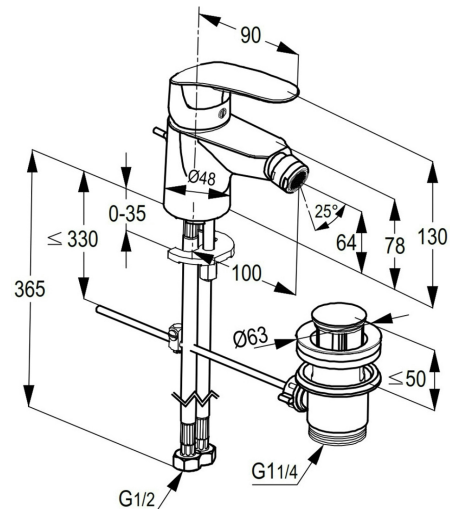
single lever bidet mixer DN 15  
single hole mounted  
solid lever  
ceramic cartridge with hot water safety device  
PCA ball joint aerator M24 x 1  
flow level 1.0 gpm#  
flexible high pressure supply tubes 1/2 inch  
rapid installation set  
pop up waste 1 1/4 inch  
in accordance to EN 817  
Pressure Compensating Aerator 1.0 gpm#

## Advertisement:

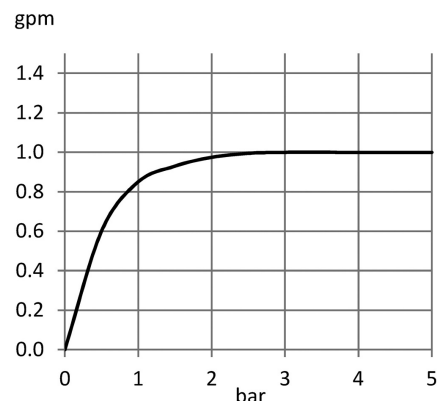
- \* KLUDI RAK LLC item no. RAK17001-09 PEARL single lever bidet mixer
- \* chrome plated brass, in accordance to EN 50930-6
- \* in accordance to EN 817
- \* ceramic cartridge K-35 with hot water safety device

single lever bidet mixer, manufacturer KLUDI RAK LLC, KLUDI RAK PEARL item no. RAK17001-09, type: single lever bidet mixer, DN 15/PN 10, chrome plated brass, solid lever, chrome plated metal, ceramic cartridge K-35, with hot water safety device, ball joint aerator M24 x 1, flow level 1.0 gpm, flexible high pressure supply tubes 1/2 inch, with DVGW/KIWA/WRAS/CSTBAT approval, rapid installation set, with pop up waste 1 1/4 inch, for pressure type water heater dimensions: height 130 mm, nozzle height 64 mm, nozzle projection 100 mm, lever projection 90 mm

## Line Drawing:



## Water Flow Rate#:



# variation: ± 15%



RAK17001-09 online

1/6/2021

**KLUDI**  
**RAK**

"We Stand for Water Saving"