

## Technical Data

KLUDI FRESHLINE  
hand shower 1 S  
DN 15

Ref.:  
6780005-00

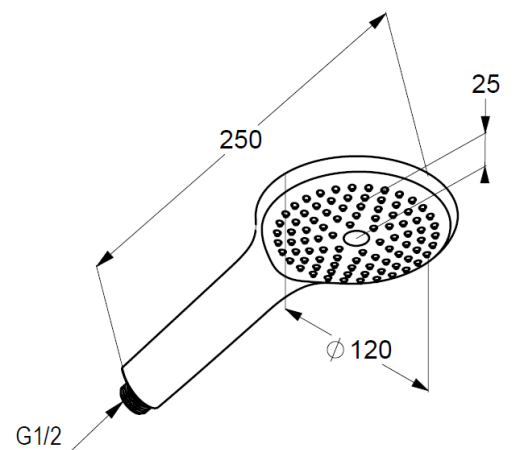
Finishes:  
05 chrome

Product description  
Manufacturer KLUDI GmbH & Co. KG  
Typ: KLUDI FRESHLINE  
hand shower 1 S DN 15  
Ref.: 6780005-00  
hand shower 1 S  
1 spray pattern  
with cleaning system  
Flow rate at 3 bar = 30 l/min.  
connection 1/2"  
sieve seal

Product picture



Dimensional drawing



Flow rate diagram

