

TECHNICAL DATASHEET

Reference: RAK10007*

Product: Wall mounted bath spout DN15



*RAK10007

Chrome Finish



*RAK10007.GD1

Gold Color
Glossy Finish



*RAK10007.RG1

Rose Gold Color
Glossy Finish



*RAK10007.BK1

Black Color
Glossy Finish

Product Description:

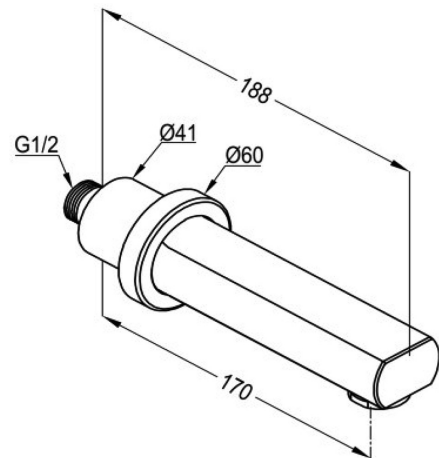
wall mounted bath spout DN 15
wall fastening
aerator M 28 x 1
flow class B
with sliding cover plate \varnothing 60 mm
projection 170 mm

Advertisement:

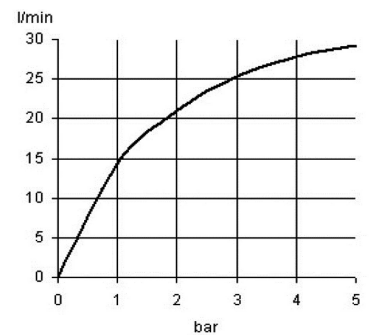
* KLUDI RAK LLC item no. RAK10007 wall mounted bath spout
* Chrome plated/PVD Gold/PVD Rose Gold/PVD Black brass, in accord. to EN 50930-6
* in accordance to EN 200

wall mounted bath spout DN 15, manufacturer KLUDI RAK LLC wall mounted bath spout item no. RAK10007, DN 15, Chrome plated/PVD Gold/PVD Rose Gold/PVD Black brass, with male connection 1/2 inch, noise level DIN EN 4109 group I, without report no, flow class B (maximum 0.42 ltr/second), aerator M28 x 1 B, nozzle projection 170 mm, with sliding cover plate, for pressure type water heater, for continuous line heater

Line Drawing:



Water Flow Rate#:



Durchflussklasse B
flow class B

variation: \pm 15%



RAK10007 online

4/3/2022

KLUDI
RAK

"We Stand for Water Saving"