

# Product datasheet

Specifications



## circuit breaker EasyPact EZC100H - TMD - 63 A - 3 poles 3d

EZC100H3063

### Main

Range of product	EasyPact
Product or component type	Circuit breaker
Device short name	EasyPact EZC100H
Circuit breaker name	EasyPact EZC100H
Device application	Distribution
Poles description	3P
Protected poles description	3t
Network type	AC DC
Network frequency	50/60 Hz
[In] rated current	63 A at 40 °C
[Ui] rated insulation voltage	690 V AC 50/60 Hz conforming to IEC 60947-2
[Uimp] rated impulse withstand voltage	6 kV conforming to IEC 60947-2
[Ue] rated operational voltage	550 V AC 50/60 Hz conforming to IEC 60947-2 250 V DC conforming to IEC 60947-2
Breaking capacity code	H
Breaking capacity	10 kA Icu at 125 V DC 1P conforming to IEC 60947-2 10 kA Icu at 250 V DC 2P conforming to IEC 60947-2 10 kA Icu at 550 V AC 50/60 Hz conforming to IEC 60947-2 100 kA Icu at 110...130 V AC 50/60 Hz conforming to IEC 60947-2 20 kA Icu at 440 V AC 50/60 Hz conforming to IEC 60947-2 50 kA Icu at 220...240 V AC 50/60 Hz conforming to IEC 60947-2 30 kA Icu at 380...400 V AC 50/60 Hz conforming to IEC 60947-2 30 kA Icu at 415 V AC 50/60 Hz conforming to IEC 60947-2
[Ics] rated service breaking capacity	5 kA at 125 V DC conforming to IEC 60947-2 5 kA at 250 V DC conforming to IEC 60947-2 5 kA at 440 V AC 50/60 Hz conforming to IEC 60947-2 2.5 kA at 550 V AC 50/60 Hz conforming to IEC 60947-2 15 kA at 380...400 V AC 50/60 Hz conforming to IEC 60947-2 25 kA at 220...240 V AC 50/60 Hz conforming to IEC 60947-2 50 kA at 110...130 V AC 50/60 Hz conforming to IEC 60947-2 7.5 kA at 415 V AC 50/60 Hz conforming to IEC 60947-2
Suitability for isolation	Yes conforming to IEC 60947-2
Utilisation category	Category A
Trip unit name	TM-D
Trip unit technology	Thermal-magnetic
Trip unit rating	63 A at 50 °C

<b>Protection type</b>	Short-circuit protection Overload protection
------------------------	-------------------------------------------------

<b>Pollution degree</b>	3 conforming to IEC 60947
-------------------------	---------------------------

## Complementary

<b>Control type</b>	Toggle
---------------------	--------

<b>Mounting mode</b>	Fixed
----------------------	-------

<b>Mounting support</b>	Backplate
-------------------------	-----------

<b>Upside connection</b>	Front
--------------------------	-------

<b>Downside connection</b>	Front
----------------------------	-------

<b>Mechanical durability</b>	8500 cycles
------------------------------	-------------

<b>Electrical durability</b>	Category A: 1500 cycles 415 V AC 50/60 Hz conforming to IEC 60947-2
------------------------------	---------------------------------------------------------------------

<b>Connection pitch</b>	25 mm
-------------------------	-------

<b>Local signalling</b>	Positive contact indication
-------------------------	-----------------------------

<b>Neutral protection setting</b>	Without protection
-----------------------------------	--------------------

<b>Earth-leakage protection</b>	Without
---------------------------------	---------

<b>Height</b>	130 mm
---------------	--------

<b>Width</b>	75 mm
--------------	-------

<b>Depth</b>	60 mm
--------------	-------

## Environment

<b>Standards</b>	GB/T 14048.2 EN/IEC 60947-1 JIS C8201-2-2 EN/IEC 60947-2
------------------	-------------------------------------------------------------------

<b>IP degree of protection</b>	IP20 conforming to IEC 60529
--------------------------------	------------------------------

<b>IK degree of protection</b>	IK07 conforming to EN 50102
--------------------------------	-----------------------------

<b>Ambient air temperature for operation</b>	-25...70 °C
----------------------------------------------	-------------

<b>Ambient air temperature for storage</b>	-35...85 °C
--------------------------------------------	-------------

## Packing Units

<b>Unit Type of Package 1</b>	PCE
-------------------------------	-----

<b>Number of Units in Package 1</b>	1
-------------------------------------	---

<b>Package 1 Height</b>	9.0 cm
-------------------------	--------

<b>Package 1 Width</b>	8.0 cm
------------------------	--------

<b>Package 1 Length</b>	14.0 cm
-------------------------	---------

<b>Package 1 Weight</b>	806.0 g
-------------------------	---------

<b>Unit Type of Package 2</b>	S02
-------------------------------	-----

<b>Number of Units in Package 2</b>	12
-------------------------------------	----

<b>Package 2 Height</b>	15.0 cm
-------------------------	---------

<b>Package 2 Width</b>	30.0 cm
------------------------	---------

<b>Package 2 Length</b>	40.0 cm
-------------------------	---------

<b>Package 2 Weight</b>	10.14 kg
-------------------------	----------

<b>Unit Type of Package 3</b>	PAL
-------------------------------	-----

<b>Number of Units in Package 3</b>	384
-------------------------------------	-----

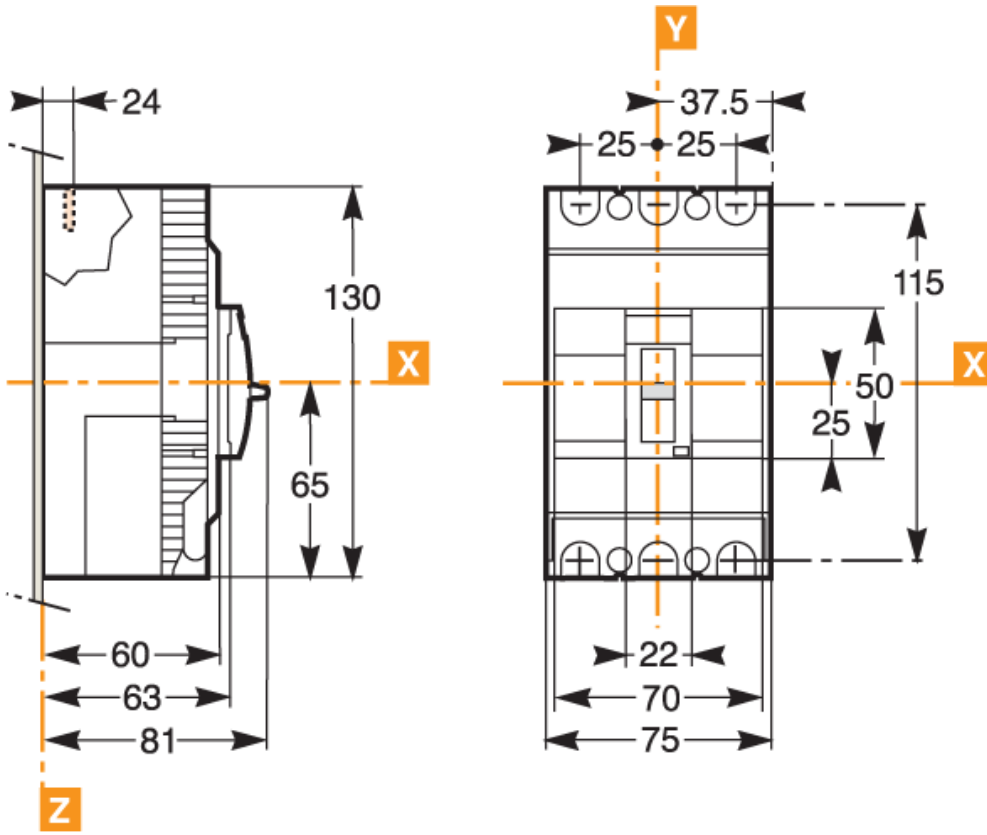
Package 3 Height	80.0 cm
Package 3 Width	120.0 cm
Package 3 Length	384.0 cm
Package 3 Weight	322.944 kg

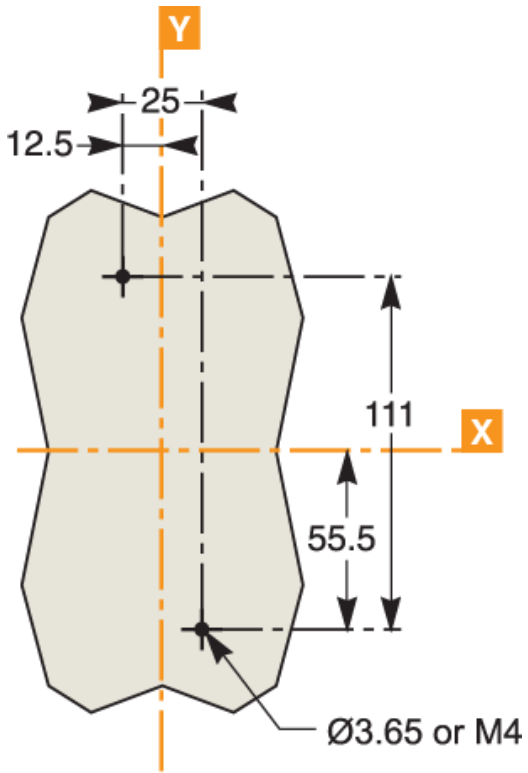
## Offer Sustainability

Sustainable offer status	Green Premium product
REACH Regulation	<a href="#">REACH Declaration</a>
REACH free of SVHC	Yes
EU RoHS Directive	Compliant <a href="#">EU RoHS Declaration</a>
Toxic heavy metal free	Yes
Mercury free	Yes
China RoHS Regulation	<a href="#">China RoHS declaration</a>
RoHS exemption information	Yes
Environmental Disclosure	<a href="#">Product Environmental Profile</a>
WEEE	The product must be disposed on European Union markets following specific waste collection and never end up in rubbish bins

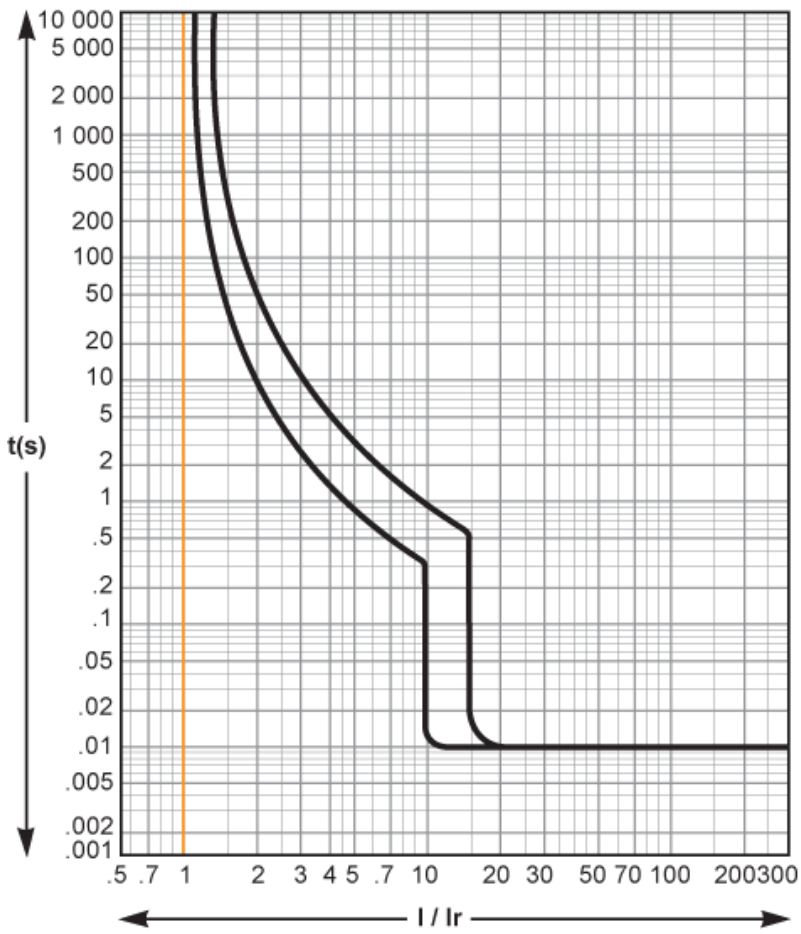
## Contractual warranty

Warranty	18 months
----------	-----------





Performance Curves



Recommended replacement(s)