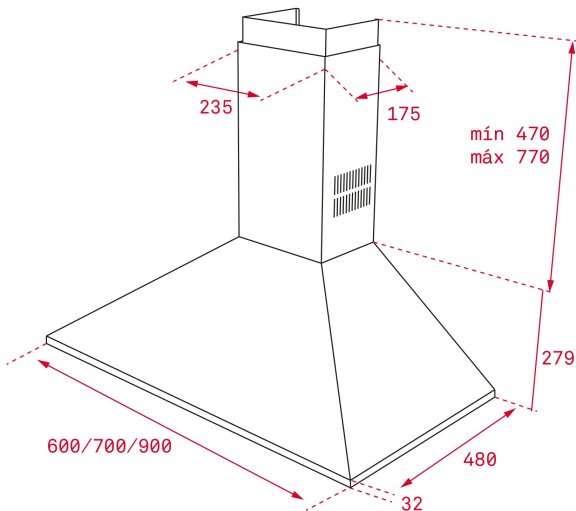


**TEKA****EASY DBB 90 HP**

Wall-mounted Pyramid-shaped Extractor Hood



LED



## REFERENCE

REF: 40460472

EAN: 8421152076163

## FEATURES

Pyramidal decorative hood  
Push buttons control panel  
Operating Pilot Light  
Conventional aspiration  
3 speeds  
Exhaust capacities:  
Free Outlet (m<sup>3</sup>/h): 850  
Max. (m<sup>3</sup>/h): 780  
Min. (m<sup>3</sup>/h): 240  
Noise (LwA) Max Speed 56 dB  
Noise (LwA) Min Speed 48 dB  
Incandescent Lamps  
3 aluminum filters

## DIMENSIONS

**Product height (mm):** 749-1049**Product width (mm):** 900**Product depth (mm):** 480**Product length (mm):****Net weight (Kg):** 9,5

## TECH SPECS

Energy Efficiency Class: D

Noise (LwA) Min Speed (dB): 47,8

Noise (LwA) Max Speed (dB): 67,3

Noise (LwA) Boost Speed (dB): 0

Ø Outlet (mm): 150

## COLOURS



40460472

Stainless Steel