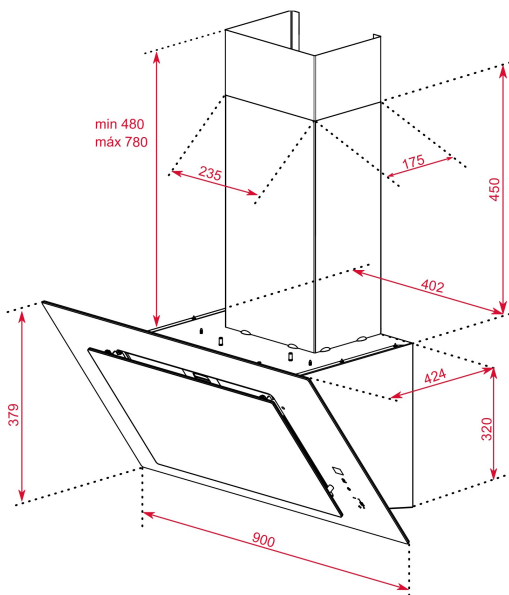




Fresh AIR



LED

Perimeter
extractionStop Delay
Timer

REFERENCE

REF: 112930043

EAN: 8434778013252

FEATURES

Vertical decorative hood
 Rim extraction system
 Touch control display
 FreshAir function
 Full glass design
 3 speeds + intensive
 Stop delay timer
 LED illumination
 Saturation filter indicator
 EcoPower motor
 Exhausts capacity: min.307 m³/h - max.698 m³/h
 Sound level: min.61 dB - max.72 dB
 Recirculation function with or without tube cover
 Optional regenerative charcoal filters
 Installation also possible without tube cover

DIMENSIONS

Product height (mm): 800-1100

Product width (mm): 900

Product depth (mm): 412

Product length (mm):

Net weight (Kg): 16,2

TECH SPECS

Energy Efficiency Class: A+

Noise (LwA) Min Speed (dB): 61

Noise (LwA) Max Speed (dB): 72

Noise (LwA) Boost Speed (dB): 74

Ø Outlet (mm): 150

COLOURS



112930043

Black