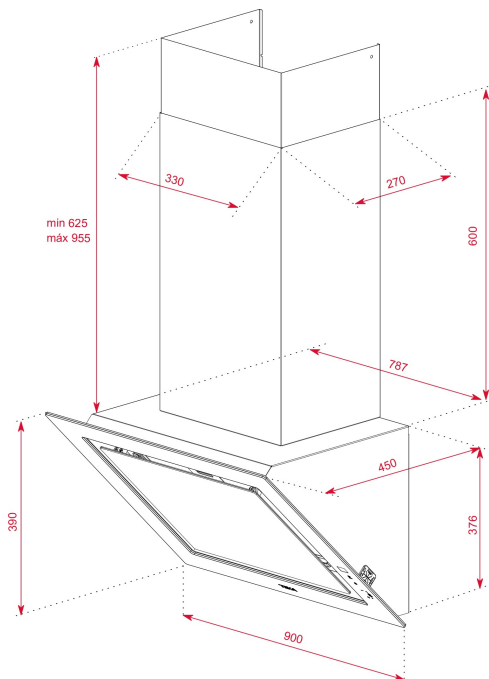




Fresh AIR



LED

Perimeter  
extractionStop Delay  
Timer

## REFERENCE

REF: 112930030

EAN: 8434778011944

## FEATURES

Urban Colors Edition  
 Vertical decorative hood  
 Rim extraction system  
 Touch control display  
 FreshAir function  
 Full glass design  
 3 speeds + intensive  
 Stop delay timer  
 LED light bar  
 Saturation filter indicator  
 EcoPower motor  
 Exhausts capacity: min.290 m<sup>3</sup>/h - max.696 m<sup>3</sup>/h  
 Sound level: min.51 dB - max.67 dB  
 Recirculation function with or without tube cover  
 Optional regenerative charcoal filters  
 Installation also possible without tube cover

## DIMENSIONS

**Product height (mm):** 1001-1331

**Product width (mm):** 900

**Product depth (mm):** 450

**Product length (mm):**

**Net weight (Kg):** 20,27

## TECH SPECS

Energy Efficiency Class: A+

Noise (LwA) Min Speed (dB): 51

Noise (LwA) Max Speed (dB): 67

Noise (LwA) Boost Speed (dB): 70

Ø Outlet (mm): 150

## COLOURS

112930030 White

112930029 Stone Grey

112930029 Black