



Fresh Box



LED

## REFERENCE

REF: 40693157

EAN: 8421152160763

## FEATURES

Built-in refrigerator  
 Mechanical control panel  
 4 \* freezer  
 Manual defrost  
 Safety glass shelves  
 Sliding door installation  
 2 vegetable drawers  
 Reversible door  
 Energy Class : A++  
 Climate Class : SN-ST  
 Noise level : 34 dBA  
 Total gross capacity : 200 litres  
 Net capacity ( fridge ) : 164 litres  
 Net capacity ( freezer ) : 20 litres  
 Voltage : 230/50 Hz

## DIMENSIONS

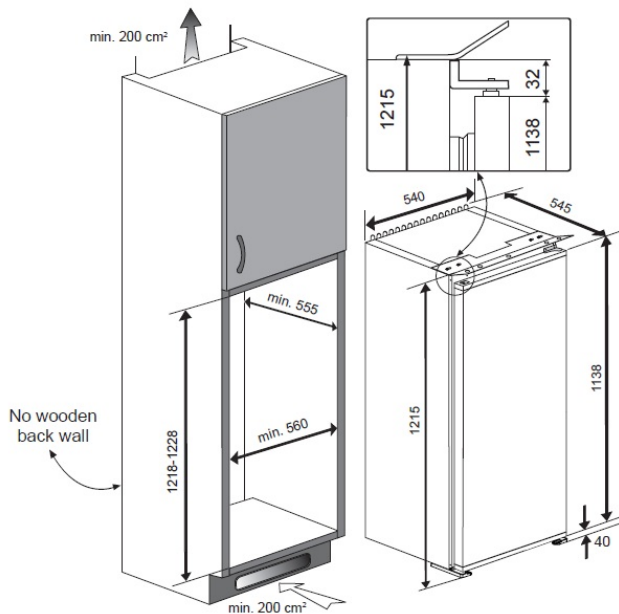
Product height (mm): 1215

Product width (mm): 540

Product depth (mm): 545

Product length (mm):

Net weight (Kg): 49



## TECH SPECS

Energy efficiency class (UE 2019/2016): -

Climate Class: T

Energy Consumption (Kw/day): 0,455

Annual Consumption (kWh/year): 166

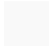
Freezing Capacity: 2,0

Noise Level (dBA): 39

Power rate (V): 220-240

Frequency (Hz): 50

## COLOURS

 40693157 White