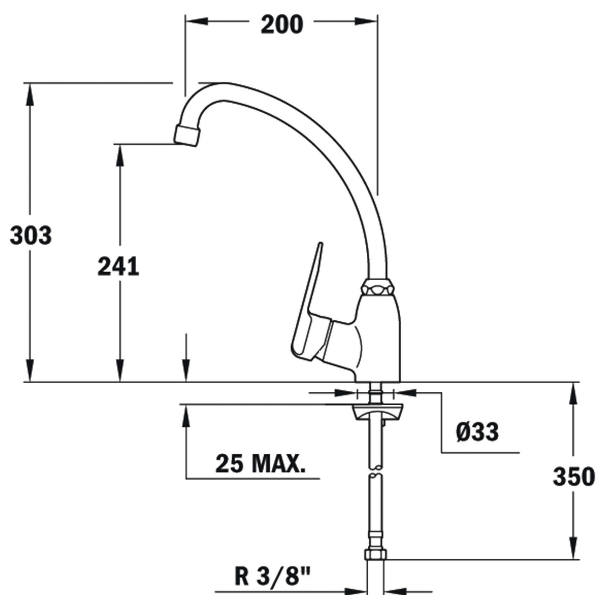


Anti-Scale  
Aerator

Swivel\_Spout



## REFERENCE

REF: 5391212 EAN: 8421152093160

## FEATURES

High spout kitchen tap  
Swivel spout  
Anti-scale aerator  
Cartridge with ceramic discs of high resistance  
Highly precise temperature control  
Greater handling sensitivity with smoother movements  
3/8" flexible inlet pipes

## DIMENSIONS

**Product height (mm):** 303

**Product width (mm):**

**Product depth (mm):**

**Product length (mm):**

**Net weight (Kg):** 1,4

## COLOURS



5391212 Chrome