



REFERENCE

REF: 116030029

EAN: 8434778003758

FEATURES

High spout kitchen tap
 Swivel spout
 Anti-scale aerator
 Cartridge with ceramic discs of high resistance
 Highly precise temperature control
 Greater handling sensitivity with smoother movements
 Easy-Quick fixation system
 3/8" - 1/2" flexible inlet pipes

DIMENSIONS

Product height (mm): 348

Product width (mm):

Product depth (mm):

Product length (mm):

Net weight (Kg): 0,89



Anti-Scale
Aerator



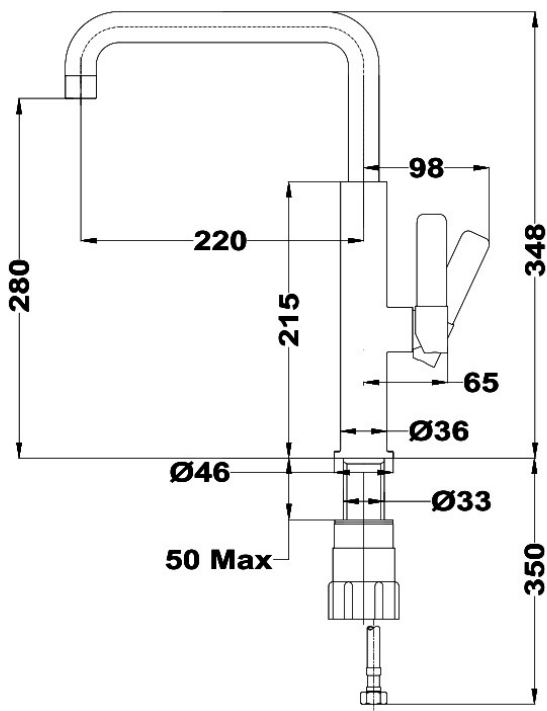
Saving_Water



Swivel_Spout



Easy_Quick



COLOURS



116030029

Chrome