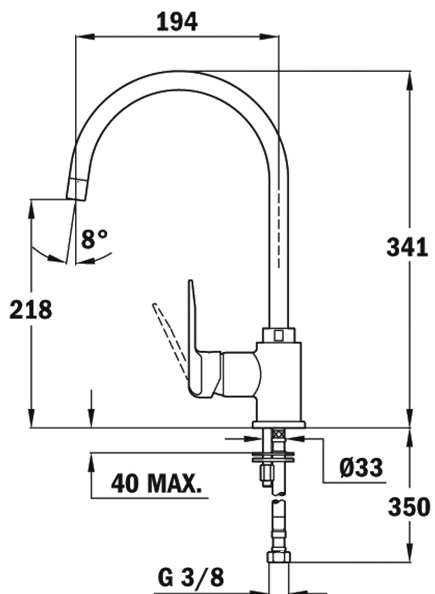


Anti-Scale  
Aerator

Swivel\_Spout



## REFERENCE

REF: 5399512 EAN: 8421152066669

## FEATURES

- High spout kitchen tap
- Minimalistic design
- Swivel spout
- Anti-scale aerator
- Cartridge with ceramic discs of high resistance
- Highly precise temperature control
- Greater handling sensitivity with smoother movements
- 3/8" flexible inlet pipes

## DIMENSIONS

**Product height (mm):** 341

**Product width (mm):**

**Product depth (mm):**

**Product length (mm):**

**Net weight (Kg):** 1,55

## COLOURS



5399512 Chrome