

TEKA**TOTAL HSF 900**

Multifunction oven with HydroClean cleaning system in 90 cm

REFERENCE

REF: 41592225

EAN: 8421152155905

**FEATURES**

Hydroclean® ECO cleaning system - 7 Cooking functions

A Energy class

Capacity, gross/net: 91/77

Children safety block

Tangential ventilation

Triple glazed door

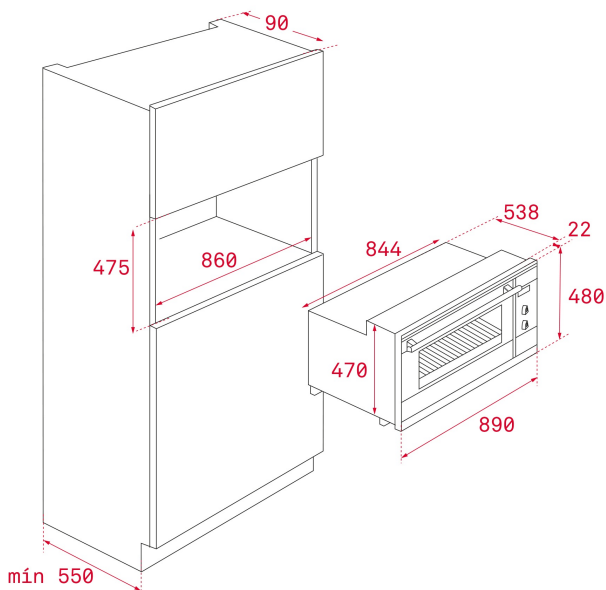
Anti-tip deep & baking trays and cooking grid

DIMENSIONS**Product height (mm):** 480**Product width (mm):** 890**Product depth (mm):** 538+22**Product length (mm):****Net weight (Kg):** 44

HydroClean



77L

**TECH SPECS**

Energy Efficiency Class: A

Power rate (V): 220-240

Frequency (Hz): 50/60

Maximum Nominal Power (W): 2848

COLOURS

41592225

Stainless Steel