

REFERENCE

REF: 10119056

EAN: 8421152030424

FEATURES

Stainless steel sink, One bowl and One drainer

Finish: Polished

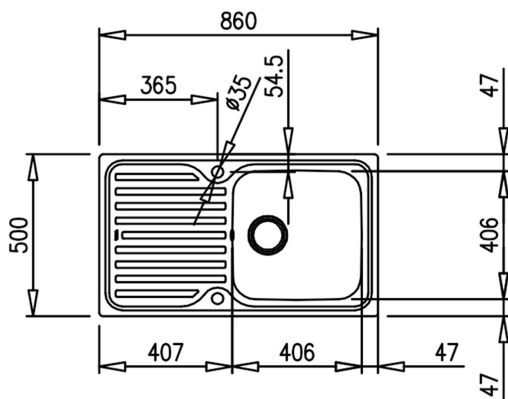
Inset installation, Reversible drainer

3½" manual basket waste with overflow and siphon

50 cm base unit

Thickness: 0.8 mm

Packaging: Cardboard protection

DIMENSIONS**Product height (mm):****Product width (mm):** 500**Product depth (mm):** 190**Product length (mm):** 860**Net weight (Kg):** 4,06Hygiene,
easy to
cleanLifetime
warranty**COLOURS**