



REFERENCE

REF: 10119013

EAN: 8421152019283

FEATURES

Stainless steel sink, One bowl and One drainer

Finish: Polished

Inset installation, Reversible drainer

3½" manual basket waste with overflow and siphon

50 cm base unit

Thickness: 0.8 mm

Packaging: Individual carton box

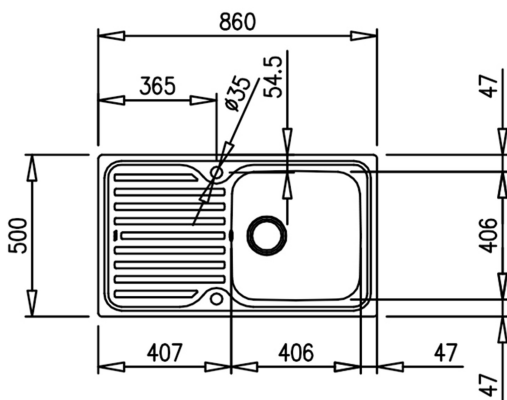
DIMENSIONS

Product height (mm):**Product width (mm):** 500**Product depth (mm):** 190**Product length (mm):** 860**Net weight (Kg):** 4,06

Lifetime warranty



Hygiene



COLOURS