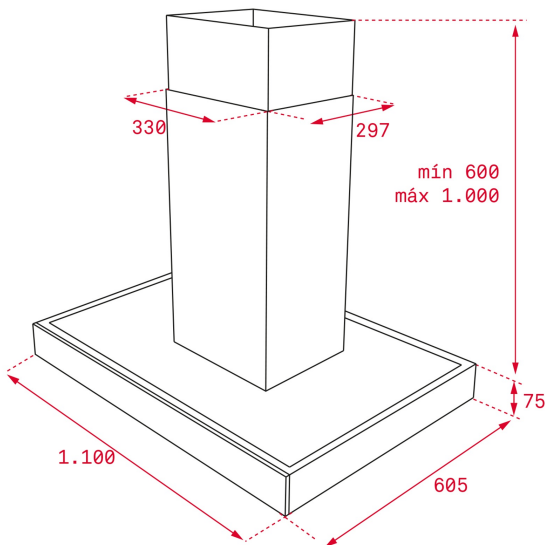


**TEKA****MAESTRO DPL 1185**

110cm Island Hood with Contour Rim extraction, Touch control and ECOPOWER motor



LED

Perimeter  
extractionStop Delay  
Timer**REFERENCE**

REF: 40483172

EAN: 8421152145777

**FEATURES**

Island hood  
Rim extraction  
EcoPower motor  
Energy Efficiency class: A  
Rim extraction  
Touch control White display  
Operating pilot light  
3 speeds + 1 intensive  
Exhaust capacities:  
Free Outlet, m<sup>3</sup>/h: 920  
Qboost, m<sup>3</sup>/h: 651  
Max., m<sup>3</sup>/h: 629  
Min., m<sup>3</sup>/h: 331  
Noise (LwA) Boost Speed, dB: 65,2  
Noise (LwA) Max Speed, dB: 66  
Noise (LwA) Min Speed, dB: 54  
LED illumination  
Reinforced black glass  
2 hidden aluminum filters  
Stop delay timer  
Filter saturation indicator

**DIMENSIONS****Product height (mm):** 817 - 1117**Product width (mm):** 1100**Product depth (mm):** 605**Product length (mm):****Net weight (Kg):** 17,4**TECH SPECS**

Energy Efficiency Class: A

Noise (LwA) Min Speed (dB): 54

Noise (LwA) Max Speed (dB): 66

Noise (LwA) Boost Speed (dB): 69

Ø Outlet (mm): 150

**COLOURS**