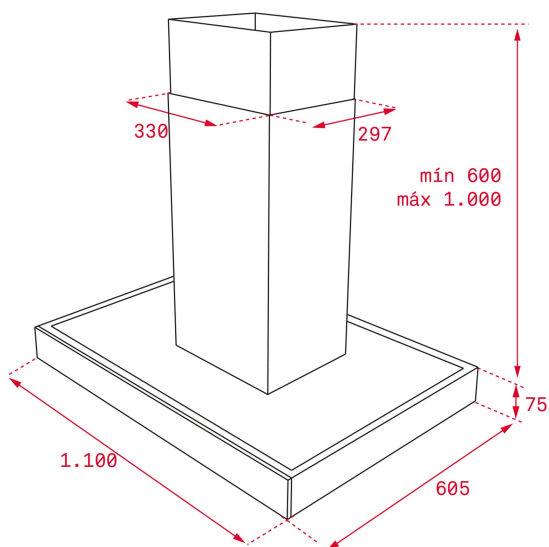




LED

Perimeter
extractionStop Delay
Timer

REFERENCE

REF: 40483173

EAN: 8421152145784

FEATURES

Decorative horizontal island hood
 Touch control
 Rim extraction
 3 speeds + 1 intensive
 Free Outlet exhaust capacity (m³/h): 920
 Intensive speed exhaust capacity (m³/h): 782
 Max speed exhaust capacity (m³/h): 629
 Min speed exhaust capacity (m³/h): 331
 Intensive speed sound level (dBA): 69
 Max speed sound level (dBA): 66
 Min speed sound level (dBA): 54
 4 LED lamps
 3 aluminium filters
 Stop delay timer
 Filter saturation indicator
 Operating pilot light
 Anti-return valve included
 Outlet reduction included
 Optional recirculation kit with tube cover installation: SET 1/T1
 Optional Charcoal Filter: D4C

DIMENSIONS

Product height (mm): 817 - 1117**Product width (mm):** 1100**Product depth (mm):** 605**Product length (mm):****Net weight (Kg):** 21,25

TECH SPECS

Energy Efficiency Class: 0

Noise (LwA) Min Speed (dB): 0

Noise (LwA) Max Speed (dB): 0

Noise (LwA) Boost Speed (dB): 0

Ø Outlet (mm): 150

COLOURS