

TEKA**EASY TL 9310**

90cm Pull-out Hood with doble motor turbine and 2 speeds

REFERENCE

REF: 40474390

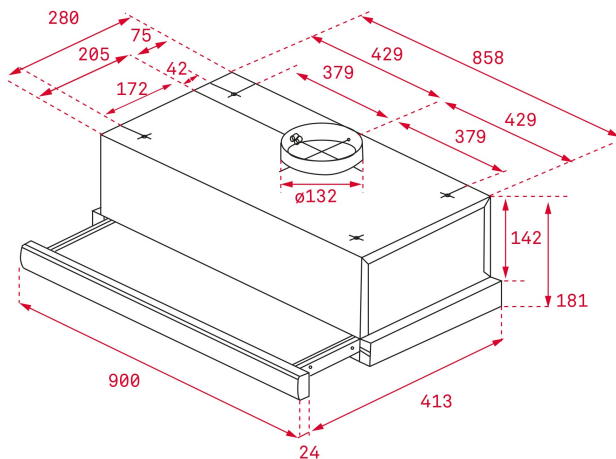
EAN: 8421152146002

FEATURES

Pull-out hood
Mechanical control panel
2 speeds
Exhaust capacities:
Free Outlet, m³/h: 366
Max., m³/h: 332
Min., m³/h: 233
Noise (LwA) Max Speed, dB: 65
Noise (LwA) Min Speed, dB: 56
2 Integrated LED lamps
4 aluminium filters
Automatic Lighting
Exchangeable Front Panel



LED

DIMENSIONS**Product height (mm):** 181**Product width (mm):** 900**Product depth (mm):** 304-437**Product length (mm):****Net weight (Kg):** 9,1**TECH SPECS**

Energy Efficiency Class: D

Noise (LwA) Min Speed (dB): 49

Noise (LwA) Max Speed (dB): 65

Noise (LwA) Boost Speed (dB): N/A

Ø Outlet (mm): 120

COLOURS

40474390

Stainless Steel