

REFERENCE

REF: 10210002

EAN: 8421152086308

FEATURES

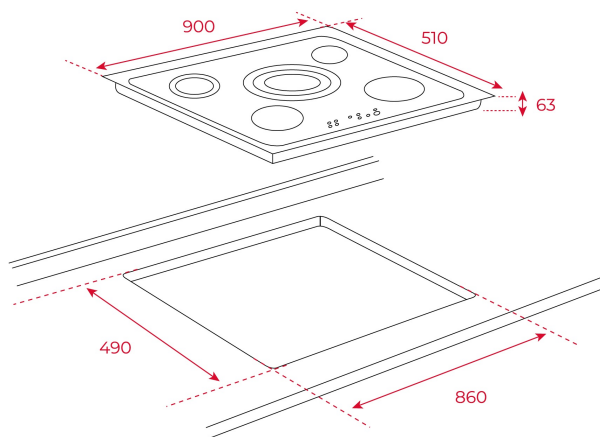
Vitroceramic hob
 Touch Control
 5 cooking zones
 1 high lights Ø 145/210/270 mm
 1 high lights Ø 120/180 mm
 3 high lights Ø 145 mm
 Ceramic glass surface
 Cooking timer
 Residual heat indicator
 Power plus
 Child lock
 Easy installation kit
 Maximum nominal power 8900 W
 Optional: Grilling plate
 Optional: Teppanyaki



Autolock



Power Plus

Easy
installation

DIMENSIONS

Product height (mm): 51**Product width (mm):** 900**Product depth (mm):** 510**Product length (mm):****Net weight (Kg):** 12,06

TECH SPECS

Power rate (V): 220-240

Frequency (Hz): 50/60

Maximum Nominal Power (W): -

COLOURS



10210002

Black Glass