

REFERENCE

REF: 112500034

EAN: 8434778012057

FEATURES

Urban Colors Edition
 MasterSense Series
 Flex Induction hob
 SlideCooking function
 Direct functions with temperature sensors: Confit, poaching, grilling, pan frying, deep frying, quick boiling, simmering, melting and keep warm
 Touch Control MultiSlider
 5 cooking zones
 1 zone Ø 320/180 mm
 2 zones Ø 228 x 200 mm
 1 zone Ø 215 mm
 1 zone Ø 150 mm
 Ceramic glass surface
 Auto-lock safety system
 Cooking timer
 Power plus
 Child lock
 Residual heat indicator
 Power management
 Easy installation kit
 Maximum nominal power 10.800 W
 Optional: Grilling plate
 Optional: Teppanyaki



MultiSlider



Autolock



Power



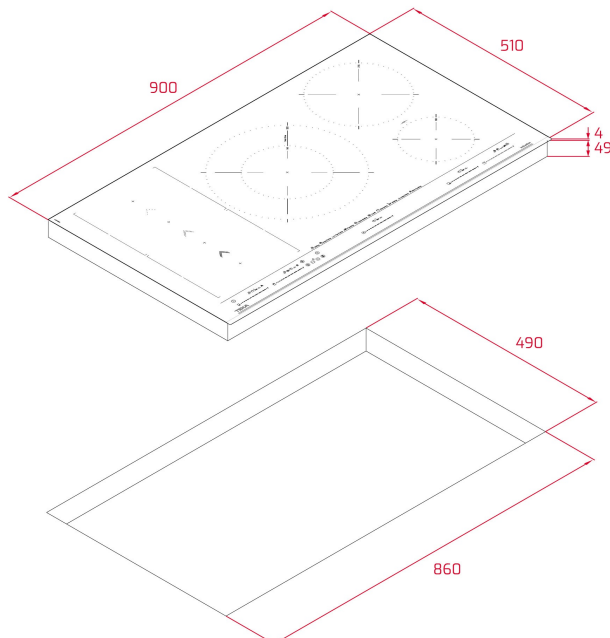
Power Plus



Easy installation



Super Zone



DIMENSIONS

Product height (mm): 53

Product width (mm): 900

Product depth (mm): 510

Product length (mm):

Net weight (Kg): 15,18

TECH SPECS

Power rate (V): 220-240

Frequency (Hz): 50/60

Maximum Nominal Power (W): TBC

COLOURS



112500034

Black