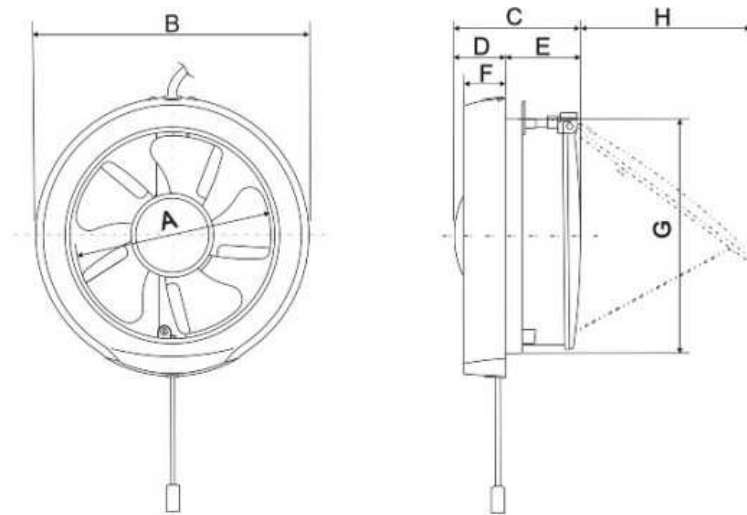


Winpet Specifications Model 15WUD

			Exhaust
Air Volume	m ³ /h	±10%	200
Power Consumption	W	±20%	8.9
Ampere	A	±20%	0.04
Rotation Speed	min ⁻¹		1393
Noise	dB (A)	+3dB,-7dB	34

- | | |
|------------------------------|---|
| 1. Power Rating ----- | 220V 60Hz |
| 2. Motor Type ----- | Capacitor start and run induction motor |
| 3. Blade Type ----- | 150mm dia. propeller fan |
| 4. Ambient Temperature ----- | -10 to 40 deg. C |
| 5. Gross Weight ----- | 1.1Kg |
| 6. Insulation Class ----- | Class E |



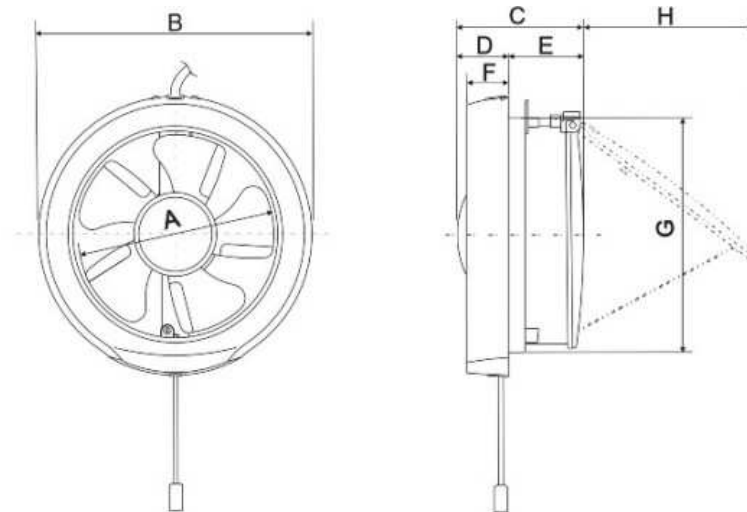
Unit: mm

Model	A	B	C	D	E	F	G	H
15WUD	φ 150	φ 210	97	43	54	37.4	177	149

Winpet Specifications Model 15WUD

			Exhaust
Air Volume	m ³ /h	±10%	210
Power Consumption	W	±20%	8.1
Ampere	A	±20%	0.037
Rotation Speed	min ⁻¹		1463
Noise	dB (A)	+3dB,-7dB	35

- | | |
|------------------------------|---|
| 1. Power Rating ----- | 220V 50Hz |
| 2. Motor Type ----- | Capacitor start and run induction motor |
| 3. Blade Type ----- | 150mm dia. propeller fan |
| 4. Ambient Temperature ----- | -10 to 40 deg. C |
| 5. Gross Weight ----- | 1.1Kg |
| 6. Insulation Class ----- | Class E |



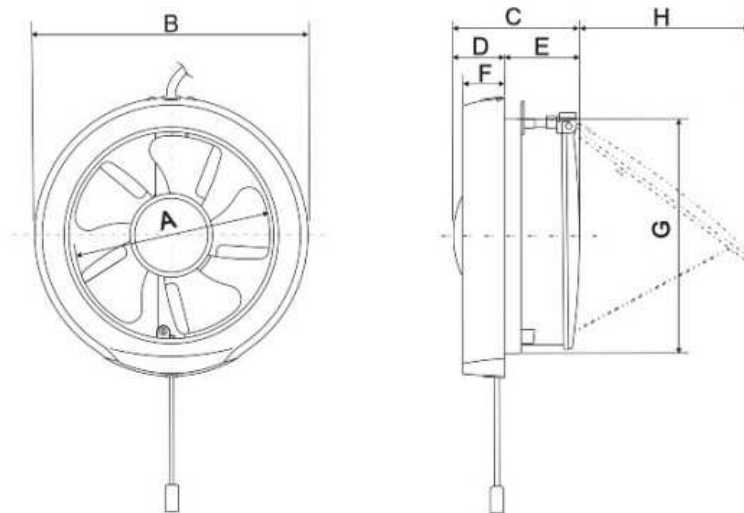
Unit: mm

Model	A	B	C	D	E	F	G	H
15WUD	φ 150	φ 210	97	43	54	37.4	177	149

Winpet Specifications Model 15WUD

			Exhaust
Air Volume	m ³ /h	±10%	220
Power Consumption	W	±20%	8.8
Ampere	A	±20%	0.039
Rotation Speed	min ⁻¹		1566
Noise	dB (A)	+3dB,-7dB	36

- | | |
|------------------------------|---|
| 1. Power Rating ----- | 230V 50Hz |
| 2. Motor Type ----- | Capacitor start and run induction motor |
| 3. Blade Type ----- | 150mm dia. propeller fan |
| 4. Ambient Temperature ----- | -10 to 40 deg. C |
| 5. Gross Weight ----- | 1.1Kg |
| 6. Insulation Class ----- | Class E |



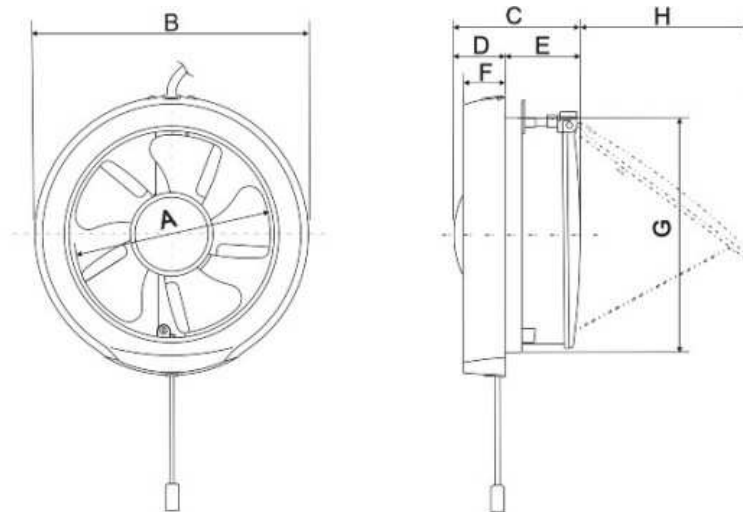
Unit: mm

Model	A	B	C	D	E	F	G	H
15WUD	φ 150	φ 210	97	43	54	37.4	177	149

Winpet Specifications Model 15WUD

			Exhaust
Air Volume	m ³ /h	±10%	230
Power Consumption	W	±20%	9.5
Ampere	A	±20%	0.04
Rotation Speed	min ⁻¹		1657
Noise	dB (A)	+3dB,-7dB	37

- | | |
|------------------------------|---|
| 1. Power Rating ----- | 240V 50Hz |
| 2. Motor Type ----- | Capacitor start and run induction motor |
| 3. Blade Type ----- | 150mm dia. propeller fan |
| 4. Ambient Temperature ----- | -10 to 40 deg. C |
| 5. Gross Weight ----- | 1.1Kg |
| 6. Insulation Class ----- | Class E |



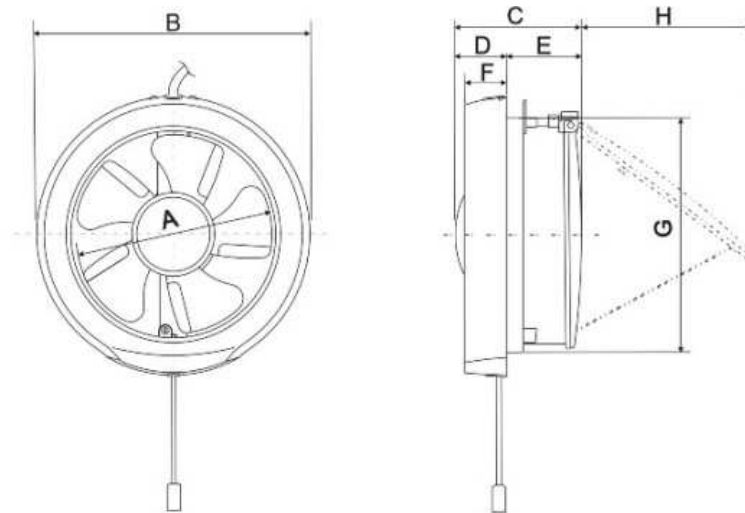
Unit: mm

Model	A	B	C	D	E	F	G	H
15WUD	φ 150	φ 210	97	43	54	37.4	177	149

Winpet Specifications Model 15WUD

Air Volume	m^3/h	$\pm 10\%$	Exhaust
Power Consumption	W	$\pm 20\%$	210-230
Ampere	A	$\pm 20\%$	8.1-9.5
Rotation Speed	min^{-1}		0.037-0.04
Noise	dB (A)	+3dB,-7dB	1463-1657
			35-37

- | | |
|------------------------------|---|
| 1. Power Rating ----- | 220-240V 50Hz |
| 2. Motor Type ----- | Capacitor start and run induction motor |
| 3. Blade Type ----- | 150mm dia. propeller fan |
| 4. Ambient Temperature ----- | -10 to 40 deg. C |
| 5. Gross Weight ----- | 1.1Kg |
| 6. Insulation Class ----- | Class E |



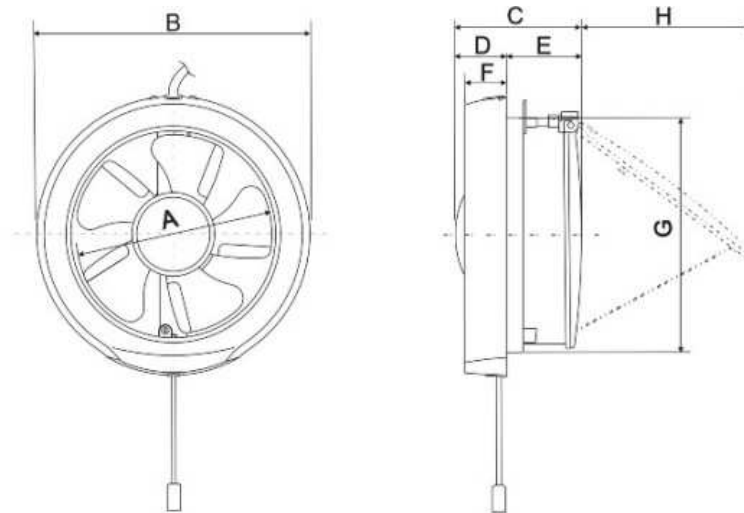
Unit: mm

Model	A	B	C	D	E	F	G	H
15WUD	$\phi 150$	$\phi 210$	97	43	54	37.4	177	149

Winpet Specifications Model 15WUD12

Air Volume	m ³ /h	±10%	Exhaust 200
Power Consumption	W	±20%	9
Ampere	A	±20%	0.07
Rotation Speed	min ⁻¹		1442
Noise	dB (A)	+3dB,-7dB	33

- | | |
|------------------------------|---|
| 1. Power Rating ----- | 127V 60Hz |
| 2. Motor Type ----- | Capacitor start and run induction motor |
| 3. Blade Type ----- | 150mm dia. propeller fan |
| 4. Ambient Temperature ----- | -10 to 40 deg. C |
| 5. Gross Weight ----- | 1.1Kg |
| 6. Insulation Class ----- | Class E |



Unit: mm

Model	A	B	C	D	E	F	G	H
15WUD12	φ 150	φ 210	97	43	54	37.4	177	149