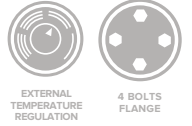


ANDRIS RS



COMFORT

- Temperature regulation

EFFICIENCY & ENERGY SAVING

- Ecological polyurethane insulation

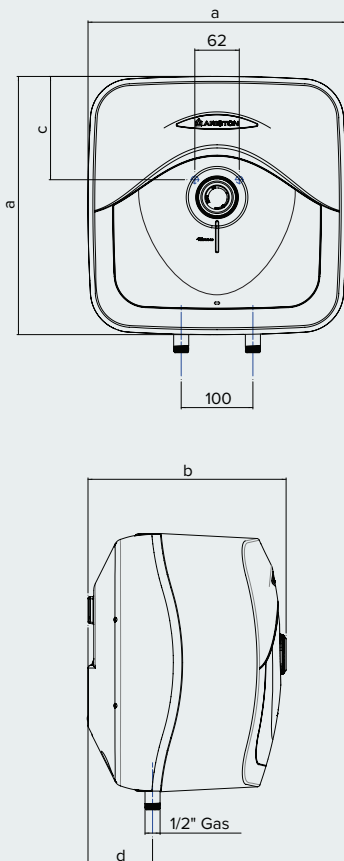
QUALITY

- Glasslined inner tank tested at 16 bar
- Oversized magnesium anode
- Pressure safety valve tested at 8 bar
- Copper heating element
- 4 bolts flange

DESIGN

- Modern aesthetic

everyday
comfort



TECHNICAL DATA

		ANDRIS RS 10	ANDRIS RS 10U	ANDRIS RS 15	ANDRIS RS 15U	ANDRIS RS 30
Capacity	l	10	10	15	15	30
Installation		Oversink	Undersink	Oversink	Undersink	Oversink
Power	kW	1,2	1,2	1,2	1,2	1,5
Voltage	V	230	230	230	230	230
Heating time ($\Delta T=45^{\circ}C$)	h,min	0,29	0,29	0,44	0,44	1,1
Heat dispersion at $65^{\circ}C$	kWh/24h	0,43	0,55	0,53	0,65	0,61
Max working pressure	bar	8	8	8	8	8
Max working temperature	$^{\circ}C$	80	80	80	80	80
Weight	kg	6,6	6,6	7,4	7,4	12,8
Protection	IP	IPX1	IPX1	IPX1	IPX1	IPX1

OVERALL DIMENSIONS

	mm	360	360	360	360	447
a	mm	298	298	346	346	410
b	mm	144	144	144	144	165
c	mm	92	92	78	78	114
d	mm					

CODE

3100631 3100632 3100633 3100634 3100635