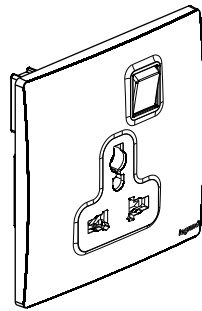
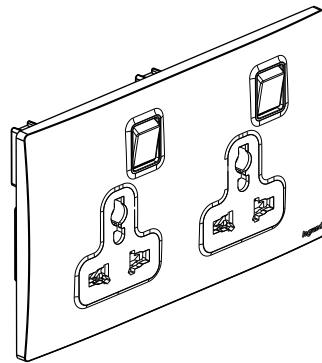


## Mallia™ Senses Multistandard switched socket

Cat. No(s): 2 811 20/22 MW - 2 811 20/22 MG  
2 811 20/22 MB - 2 811 20/22 DS  
2 811 20/22 CH - 2 811 20/22 DB  
2 811 20/22 BA - 2 811 20/22 BB  
2 811 20/22 BC



2 811 20 XX



2 811 22 XX

### 1. USE

One and two gang switched multistandard socket.  
(Supplied with M3.5 screws for Flush mounting or surface mounting BS boxes.)

### 2. RANGE

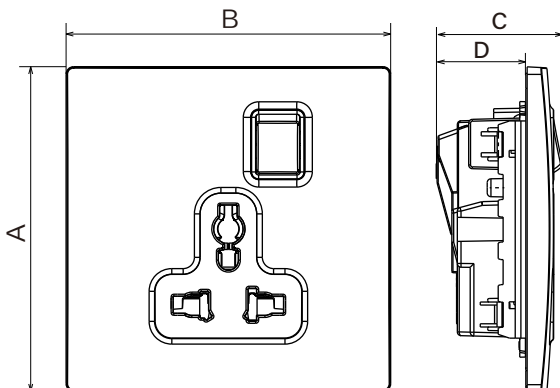
Designation	Cat. No.
1Gang Multistandard Switched socket	2 811 20 XX
2Gang Multistandard Switched socket	2 811 22 XX

-Front: MW/MG/MB/DS/CH/DB/BA/BB/BC

-Rear: grey

2 81X XX MW	Matt White
2 81X XX MG	Matt Grey
2 81X XX MB	Matt Black
2 81X XX DS	Dark Silver
2 81X XX CH	Champagne
2 81X XX DB	Dark Bronze
2 81X XX BA	Brushed Aluminium
2 81X XX BB	Brushed Black
2 81X XX BC	Brushed Champagne

### 3. DIMENSIONS (mm)



References	A	B	C	D
2 810 20 XX	86	86	33.4	23.7
2 810 22 XX	86	146	33.4	23.7

### 4. CONNECTION

Types of terminals: with screws  
Terminal capacity: 3 × 1 mm<sup>2</sup>  
3 × 1.5 mm<sup>2</sup>  
2 × 2.5 mm<sup>2</sup>  
1 × 4 mm<sup>2</sup>

Recommended stripping length: 12 mm  
Recommended screwdriver size: <4 mm flat blade

### 5. TECHNICAL CHARACTERISTICS

#### 5.1 Material characteristics

Rocker/Plate: PC  
Frame: Steel  
Base: PP  
Self-extinguishing:  
+ 850° C / 30 s for insulating parts holding live parts in place  
+ 650° C / 30 s for other parts made of insulating materials

#### 5.2 Electrical characteristics

##### Multistandard Socket:

Voltage: 127V~ Current: 15A  
Voltage: 250V~ Current: 2.5/5/6/10/13/16A  
Frequency:50/60Hz

#### 5.3 Climatic characteristics

Storage temperatures: -10°C to +70°C  
Operating temperatures: -5°C to +50°C

#### 5.4 Mechanical characteristics

Impact test: IK04  
Protection against solids & liquids: IP20

### 6. CLEANING

Surface cleaning with a soft, slightly damp cloth.  
Do not use: acetone, tar remover, trichloroethylene

### 7. CONFORMITY - APPROVALS

Conform with installation and manufacturing standards.  
Refer to e-catalogue.