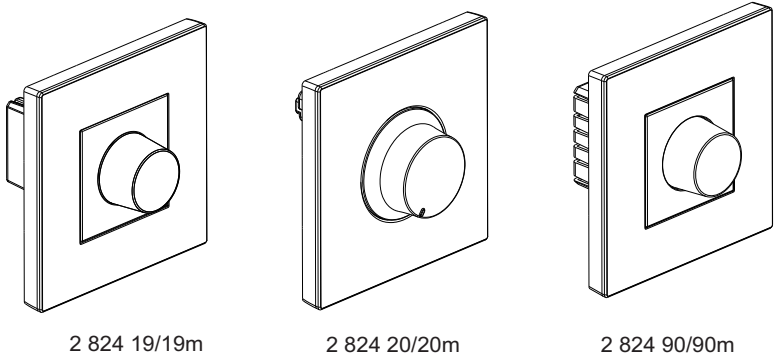


Galion™ Dimmer/Fan control switch

Cat. No(s): 2 824 19/19m/20/20m/90



CONTENTS

- 1. Use.....1
- 2. Range.....1
- 3. Preparation.....1
- 4. Overall dimensions.....1
- 5. Connection.....2
- 7. Technical characteristics.....2
- 8. Cleaning.....2
- 9. Conformity - Approvals.....2

1. USE

Light and fan control mechanisms.
(Supplied with M3.5 screws for BS boxes. Flush mounting or Surface mounting.)

2. RANGE

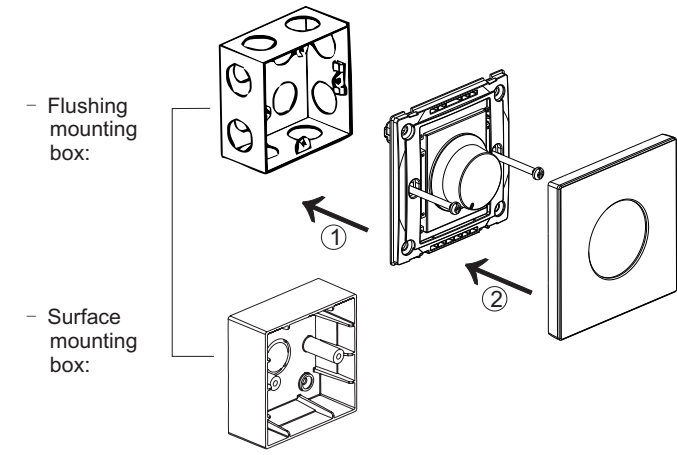
	Designation	Cat. No.	Weight (g)	Characteristics
	300W Rotary Dimmer RLC+LED	2 824 19/19m	122	300W/250VAC
	500W Dimmer Rotary	2 824 20/20m	101	500W/250VAC
	Fan Stepless Control	2 824 90	120.6	Max:400VA Min: 40VA

Colours

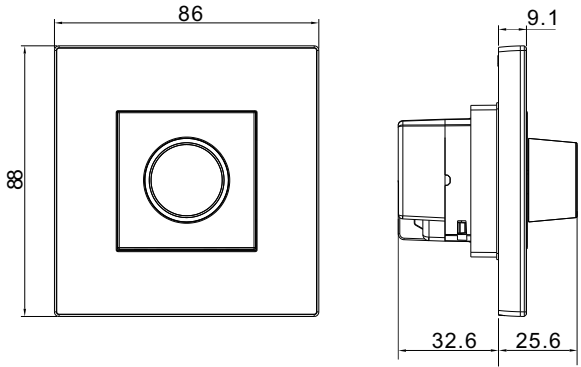
- Front: white/rose golden/champagne/dark silver
- Rear: white/rose golden/champagne/dark silver
- X XXX XX White
- X XXX XX-C Matt black
- X XXX XX-C1 Rose golden
- X XXX XX-C2 Champagne
- X XXX XX-C3 Dark silver

3. PREPARATION

3.1 General preparation



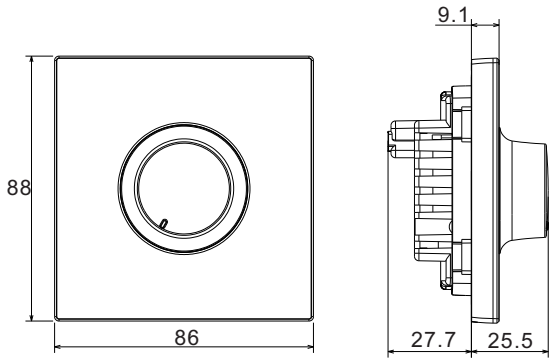
4. OVERALL DIMENSIONS



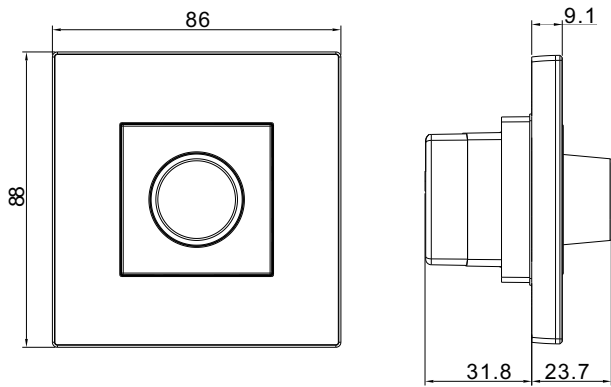
300W Rotary Dimmer RLC+LED

Galion™ Dimmer/Fan control switch

Cat. No(s): 2 824 19/19m/20/20m/90



500W Dimmer Rotary



Fan Stepless Control

Profile Size: 86 × 88 mm
Distance of installation hole: 60.3 mm

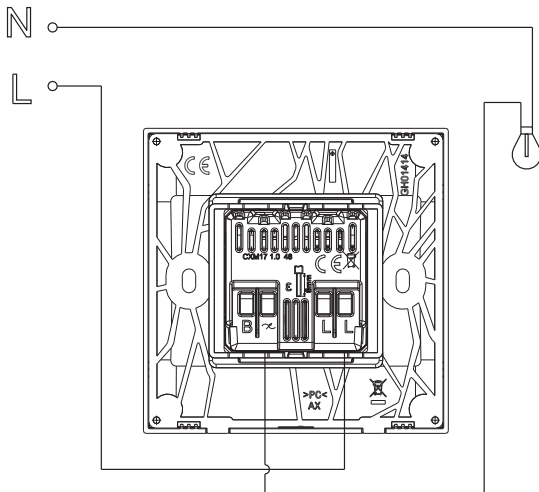
5. CONNECTION

5.1 Terminals

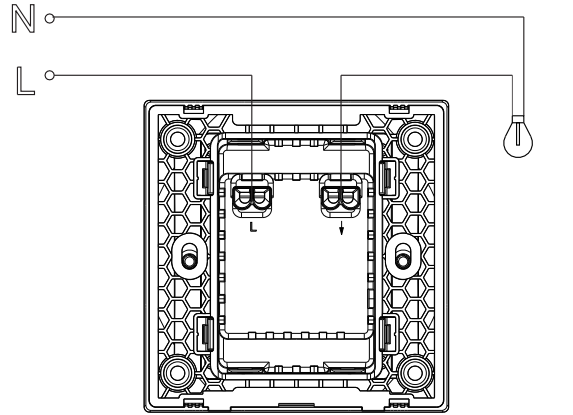
Terminal capacity: 4 X 1 mm²
3 X 1.5 mm²
2 X 2.5 mm²
1 X 4 mm²

Recommended screwdriver size: 4 mm flat blade
Recommended stripping length: 12 mm

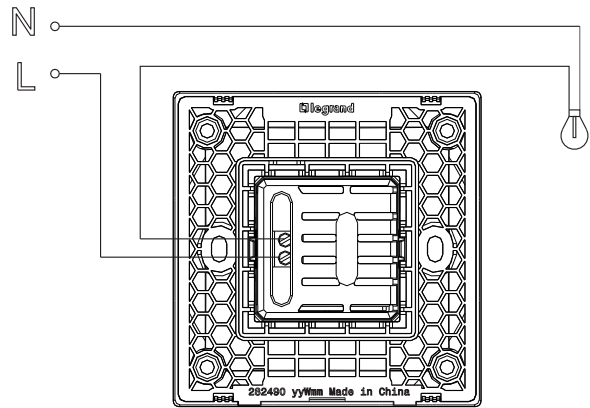
5.2 Circuit diagrams



2 824 19/19m



2 824 20/20m



2 824 90

6. TECHNICAL CHARACTERISTICS

6.1 Material characteristics

Cover plate: Polycarbonate
Frame: Polycarbonate
Base: PC
Self-extinguishing:
+ 850° C / 30 s for insulating parts holding live parts in place
+ 650° C / 30 s for other parts made of insulating materials

6.2 Electrical characteristics

300W Dimmer Rotary RLC+LED:

Voltage: 100 - 240V~
Frequency: 50/60Hz

	R	L	C/L	C	L		
240V~ 50Hz	5...300 W	5... 300 VA	5... 300 VA	5... 200 VA	5...75 W <= 10 x	5...200W <= 10 x	5...75 W <= 10 x
100V~ 60Hz	5...150 W	5... 150 VA	5... 150 VA	5... 100 VA	5...37 W <= 10 x	5...100W <= 10 x	5...37 W <= 10 x

500W Dimmer Rotary:

Voltage: 100 - 240V~
Frequency: 50/60Hz

	1	2	3	4	5	6
25°C 230VAC 50Hz/60Hz						
Max	500W	NO	500W	NO	NO	NO
Min	40W	NO	40W	NO	NO	NO

Galion™ Dimmer/Fan control switch

Cat. No(s): 2 824 19/19m/20/20m/90



1. Incandescent lamps.
2. Halogen lamps with built-in ferromagnetic transformer + compensator (forbidden).
3. Halogen lamps.
4. Fluorescent lamps (forbidden).
5. Transformers (forbidden).
6. Motors (forbidden).

Important: If the wiring diagrams are not strictly followed, or if the values shown in the table are exceeded (voltage, power, temperature, frequency), or if the power is too low and causes the light to blink, the dimmer would be severely damaged.

Fan stepless control:

Voltage: 200 - 220V~

Frequency: 50/60Hz

	 
Max	400VA
Min	40VA

6.4 Climatic characteristics

Storage temperatures: -10°C to +70°C

Operating temperatures: -5°C to +45°C

6.5 Mechanical characteristics

Impact test: IK04

Protection against liquids: IP20

7. CLEANING

Surface cleaning with a soft, slightly damp cloth.

Do not use: acetone, tar remover, trichloroethylene

8. CONFORMITY - APPROVALS

Conform to IEC 60669-2-1.